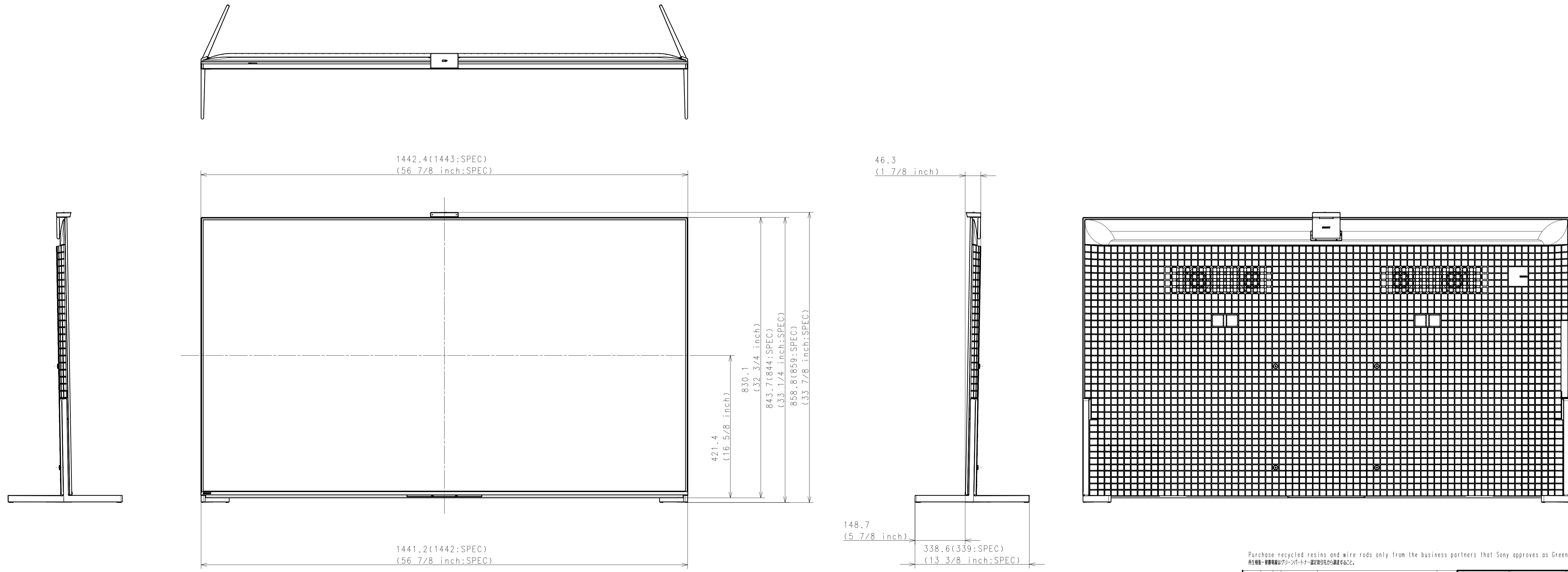


Area	JAPAN	NORTH AMERICA	EUROPE	GENERAL AREA	CHINA	
Model Name	XRJ-65A95L	XR-65A95L	XR-65A95L	XR-65A95L	XR-65A95L	
SV No.	SV-41549	SV-41389	SV-41539	SV-41450	SV-41507	
DIMENSION	TV only (W x H x D)	144.3 x 83.0 x 3.4 (2.26) cm	1443 x 830 x 34 (22.6) mm / 56 7/8 x 32 3/4 x 1 3/8 (29/32) inch	Approx. 144.3 x 83.0 x 3.4 (2.26) cm	Approx. 1443 x 830 x 34 (22.6) mm	Approx. 1443 x 830 x 34 (22.6) mm
	TV only with camera (W x H x D)	144.3 x 84.6 x 4.5 (4.28) cm	1443 x 846 x 45 (42.8) mm / 56 7/8 x 33 3/8 x 1 13/16 (1 11/16) inch	Approx. 144.3 x 84.6 x 4.5 (4.28) cm	Approx. 1443 x 846 x 45 (42.8) mm	Approx. 1443 x 846 x 45 (42.8) mm
	TV with Stand (Standard position) (W x H x D)	144.3 x 85.9 x 33.9 cm	1443 x 859 x 339 mm / 56 7/8 x 33 7/8 x 13 3/8 inch	Approx. 144.3 x 85.9 x 33.9 cm	Approx. 1443 x 859 x 339 mm	Approx. 1443 x 859 x 339 mm
	TV with Stand (Narrow position) (W x H x D)	-	-	-	-	-
	TV with Stand (Soundbar position) (W x H x D)	144.3 x 92.0 x 33.9 cm	1443 x 920 x 339 mm / 56 7/8 x 36 1/4 x 13 3/8 inch	Approx. 144.3 x 92.0 x 33.9 cm	Approx. 1443 x 920 x 339 mm	Approx. 1443 x 920 x 339 mm
	TV with Stand (Front position style) (W x H x D)	-	-	-	-	-
	TV with Stand (Back position style) (W x H x D)	-	-	-	-	-
	TV with Floor Stand (W x H x D)	-	-	-	-	-
	Stand Width (Standard position)	144.2 cm	1442 mm / 56 7/8 inch	Approx. 144.2 cm	Approx. 1442 mm	Approx. 1442 mm
	Stand Width (Narrow position)	-	-	-	-	-
WEIGHT	Stand Width (Soundbar position)	144.2 cm	1442 mm / 56 7/8 inch	Approx. 144.2 cm	Approx. 1442 mm	Approx. 1442 mm
	Stand Width (Front position style)	-	-	-	-	-
	Stand Width (Back position style)	-	-	-	-	-
	Floor Stand Width	-	-	-	-	-
	VESA Hole Pitch	30.0 x 30.0 cm	300 x 300 mm / 11 7/8 x 11 7/8 inch	30.0 x 30.0 cm	300 x 300 mm	300 x 300 mm
	TV Only	23.4 kg	23.4 kg / 51.6 lb	Approx. 23.4 kg	Approx. 23.4 kg	Approx. 23.4 kg
	TV with Stand (Standard position)	24.9 kg	24.9 kg / 54.9 lb	Approx. 24.9 kg	Approx. 24.9 kg	Approx. 24.9 kg
	TV with Stand (Narrow position)	-	-	-	-	-
	TV with Stand (Soundbar position)	24.9 kg	24.9 kg / 54.9 lb	Approx. 24.9 kg	Approx. 24.9 kg	Approx. 24.9 kg
	TV with Stand (Front/Back position style)	-	-	-	-	-
Remarks	TV with Floor Stand	-	-	-	-	-
	Floor Stand weight (Supply)	-	-	-	-	-
W-M't Br. Weight (Supply)	-	-	-	-	-	
Remarks	2 way	2 way	2 way	2 way	2 way	

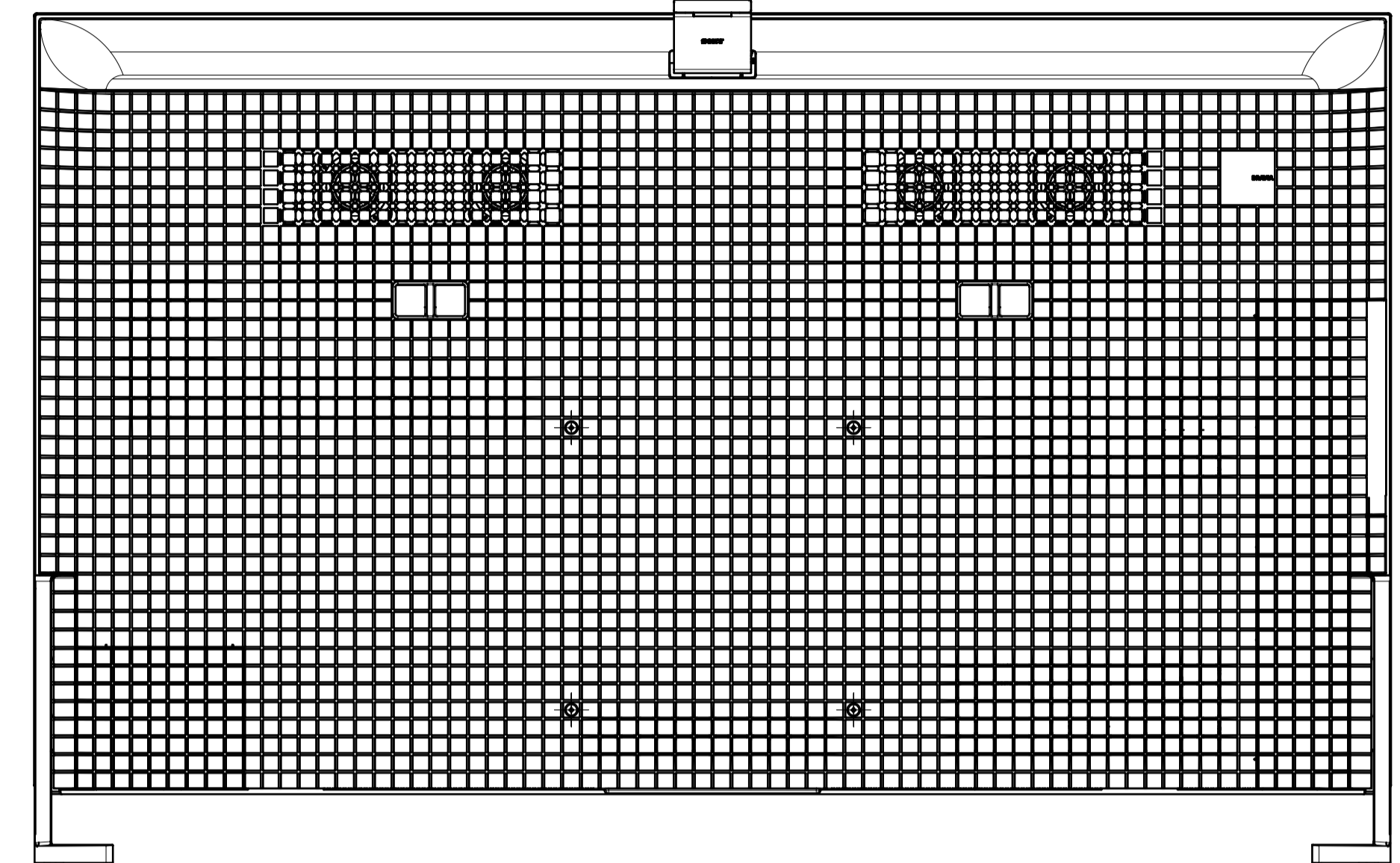
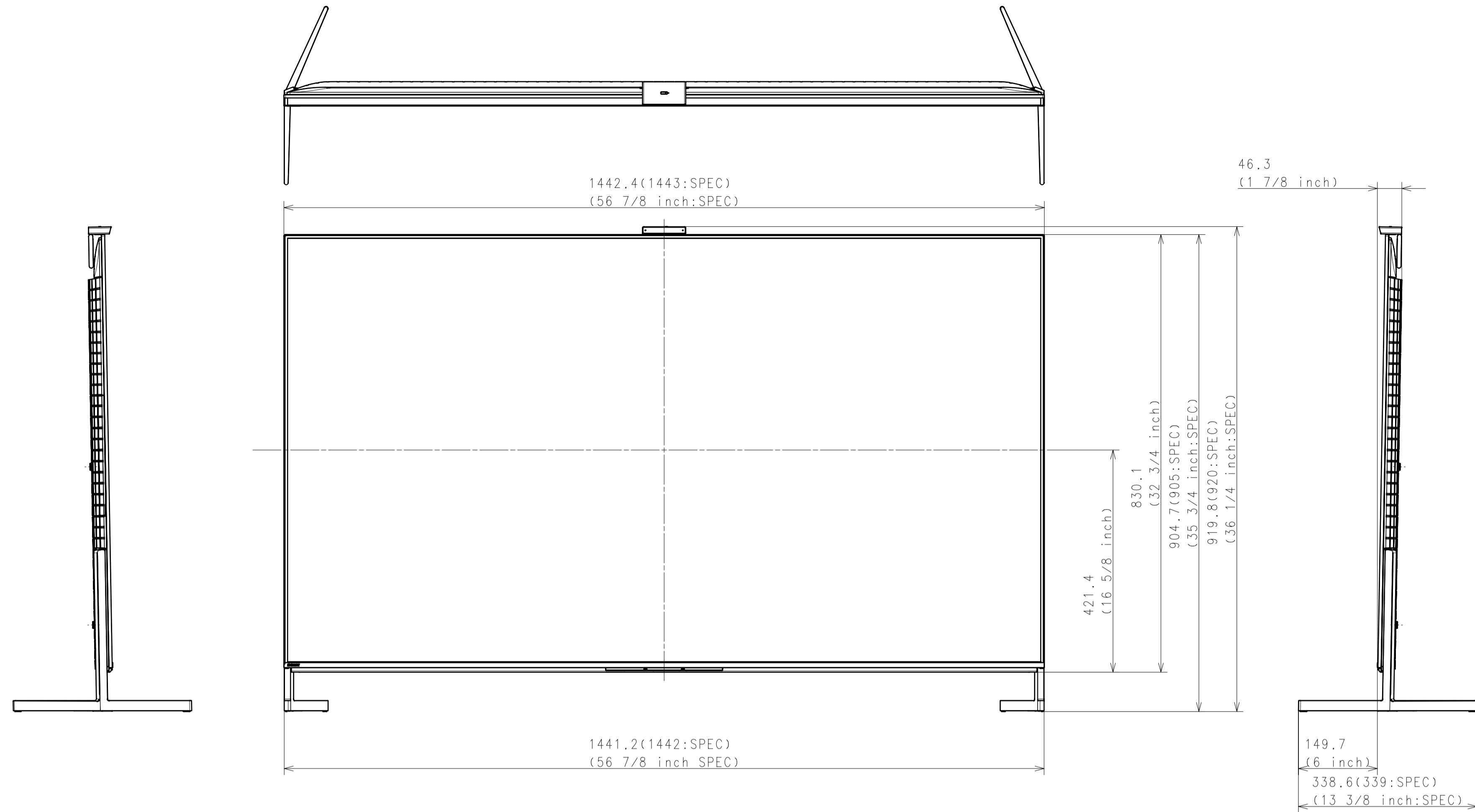
WITH STAND
STANDARD POSITION



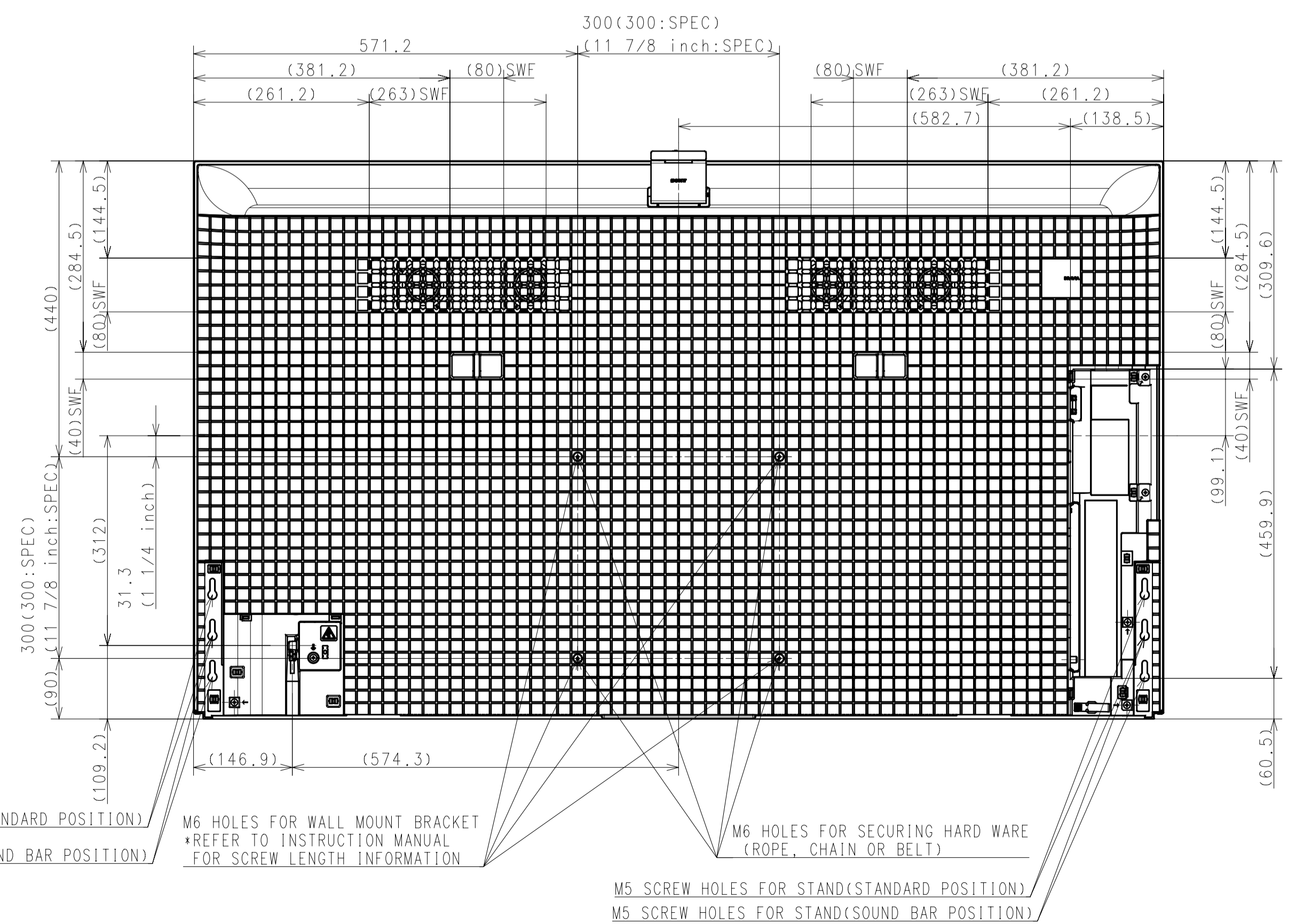
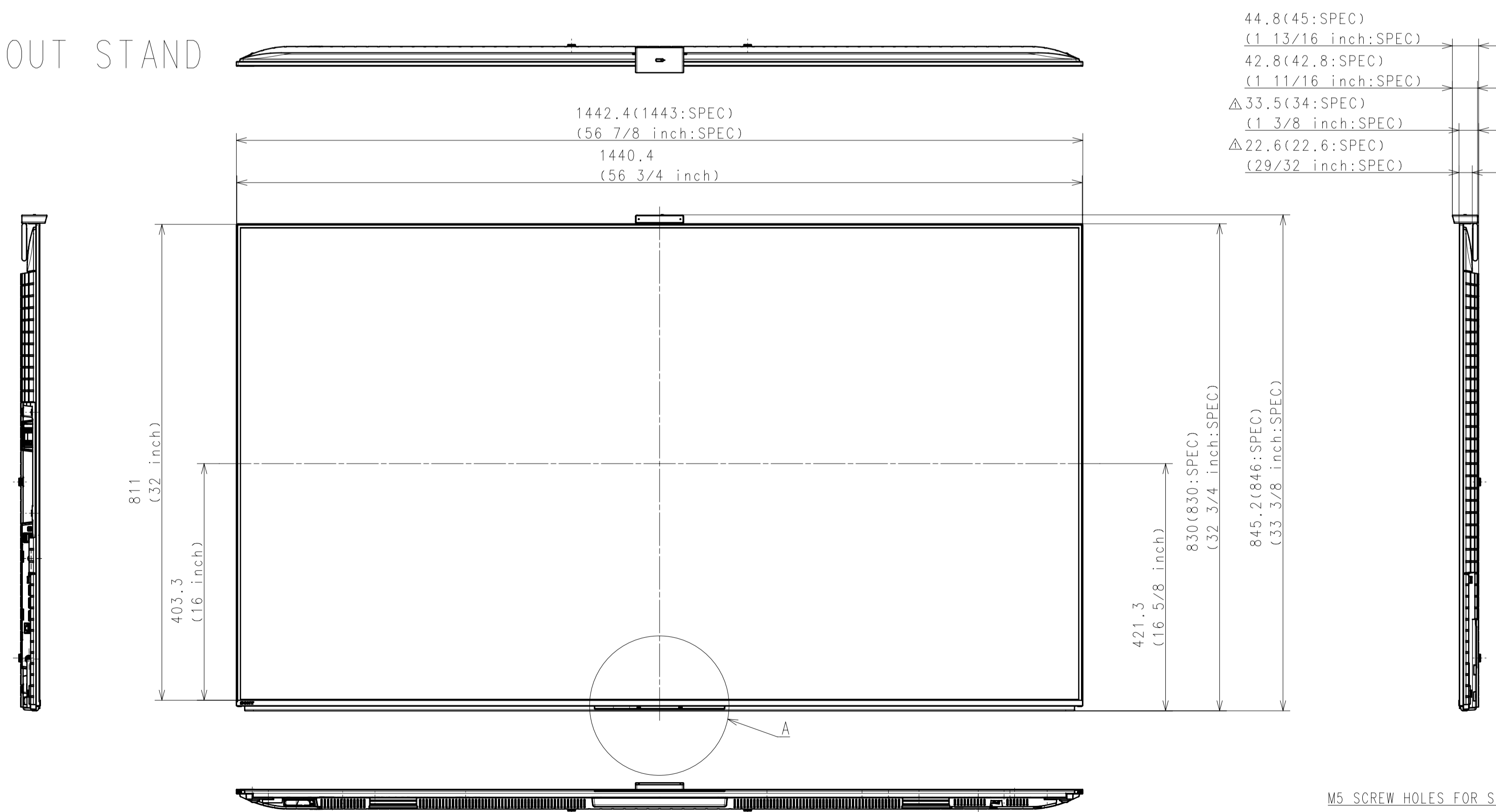
Purchase recycled resins and wire rods only from the business partners that Sony approves as Green Partners.
再生樹脂・銅線はグリーンパートナーから購入してください。

△x	△y	△z	△12	2023.03.07	DIMENSION CORRECTION	Nathan NISHI	DATE OF ISSUE 2022.10.28	GENERAL TOLERANCE	DOCUMENT TYPE PART	DATE OF ISSUE 2022.10.28
HISTORY				SUFFIX	RELEASE NO.	REVISION	SIGN.	MATERIAL COLOR	FINISH COLOR	DATE OF ISSUE 2022.10.28
LEGAL OWNER				DATE	DATE	DATE	DATE	DATE	DATE	DATE
Sony Corporation				DATE	DATE	DATE	DATE	DATE	DATE	DATE
RESPONSIBLE DEPARTMENT				HE Div.	ORIGINAL MODEL	DESCRIPTION	HE Div.	DESCRIPTION	HE Div.	DESCRIPTION
PLANNED BY				2022.10.28	TENTATIVE MODEL	65(A95L) EXTERIOR VIEW	2022.10.28	65(A95L) EXTERIOR VIEW	2022.10.28	65(A95L) EXTERIOR VIEW
DRAWN BY				Yoshikazu Hoshimoto	SIZE	A1	UNIT	mm	SHEET/PAGES	1/4
DATE				2022.10.28	PREL. METHOD	①	DATE	DATE	DATE	DATE

WITH STAND
SOUND BAR POSITION



WITHOUT STAND



(642.5)
From TV Outline

(27.5)IR/OPT

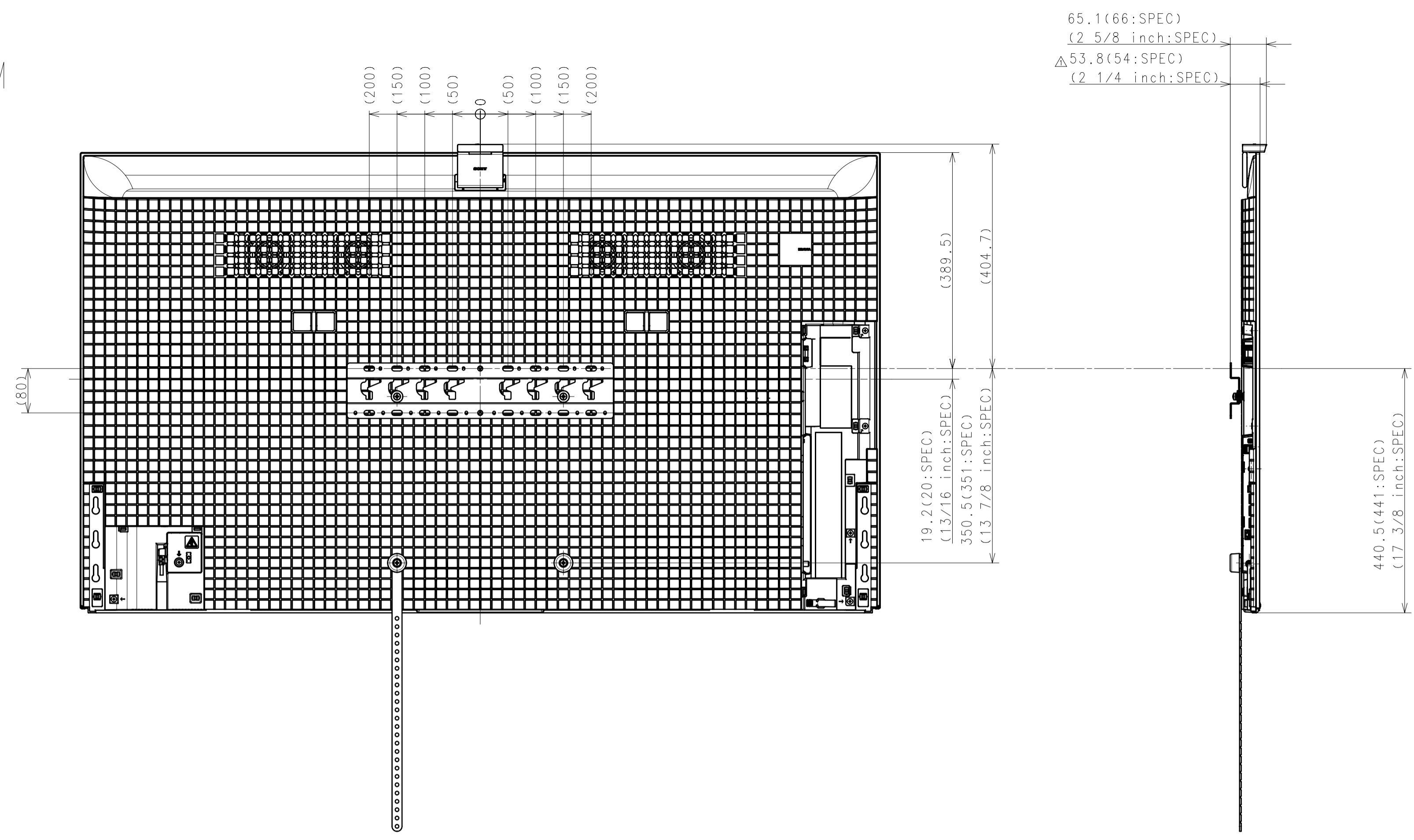
A
1:2

(4.3)

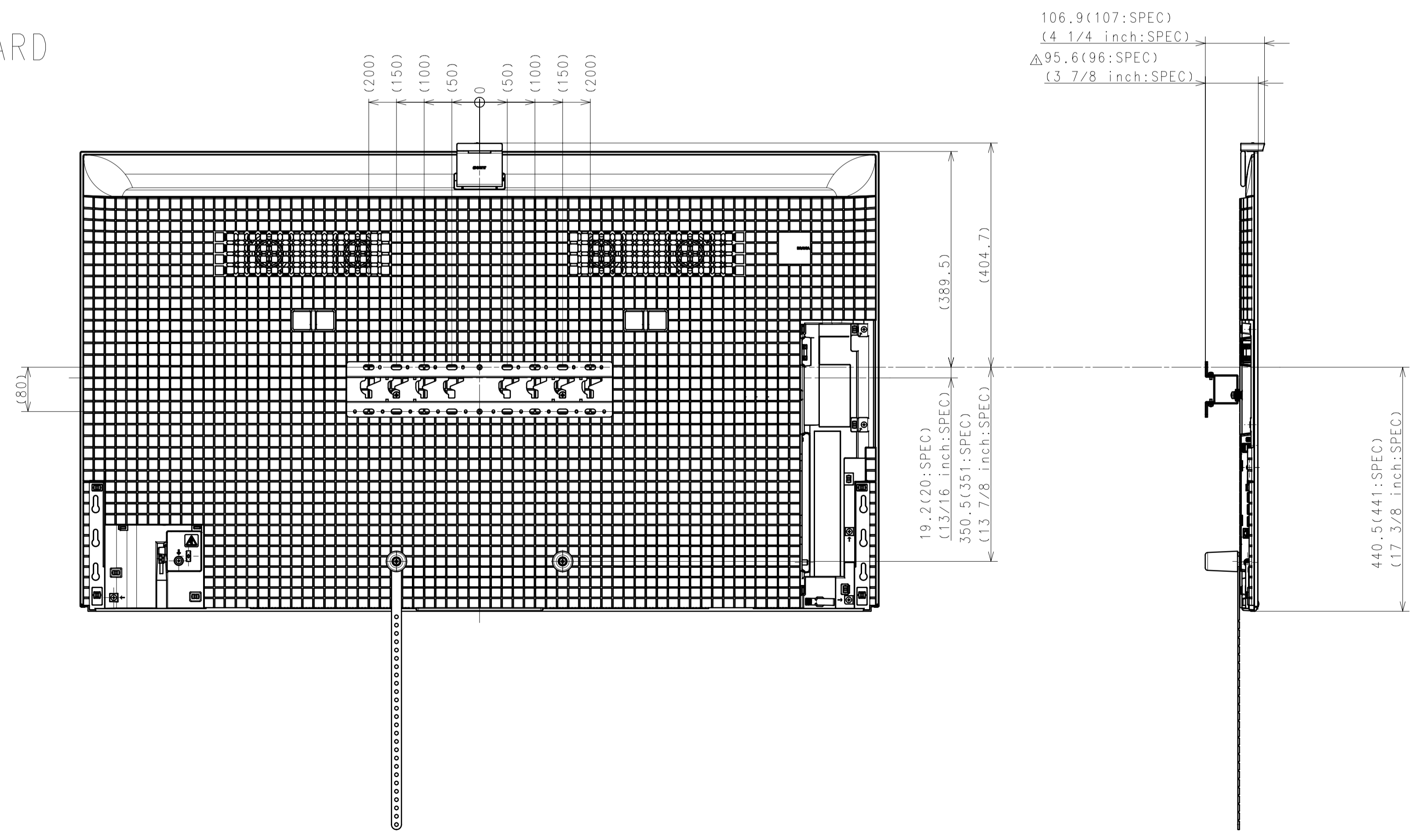
(3.8)IR/OPT

DESCRIPTION: 65(A95L) EXTERIOR VIEW	LEGAL OWNER: Sony Corporation	SCALE: 1:1
DESCRIPTION: 65(A95L) EXTERIOR VIEW	PART NO.:	SHEET/PAGES: 2 / 4

SU-WL450 SLIM



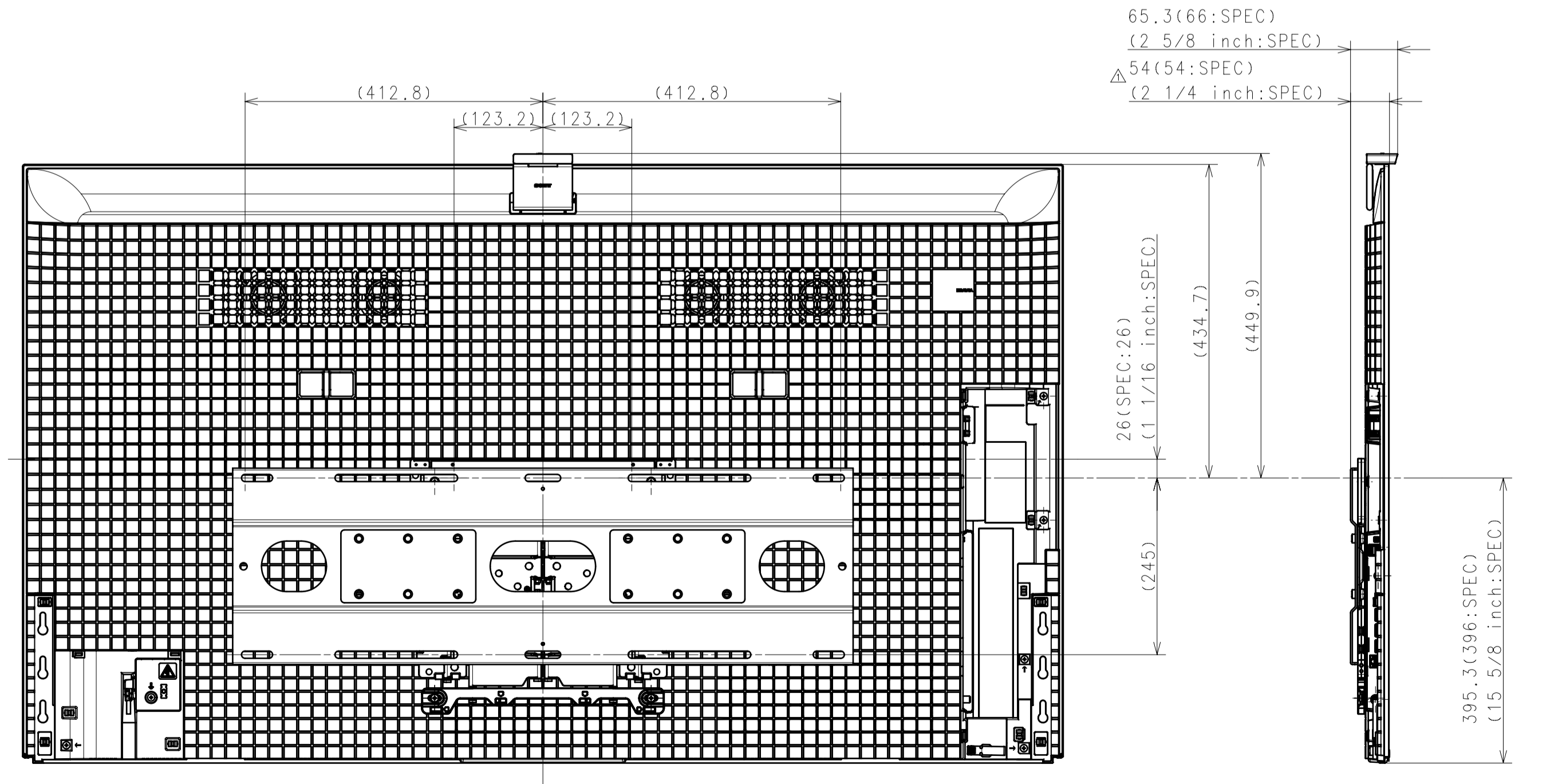
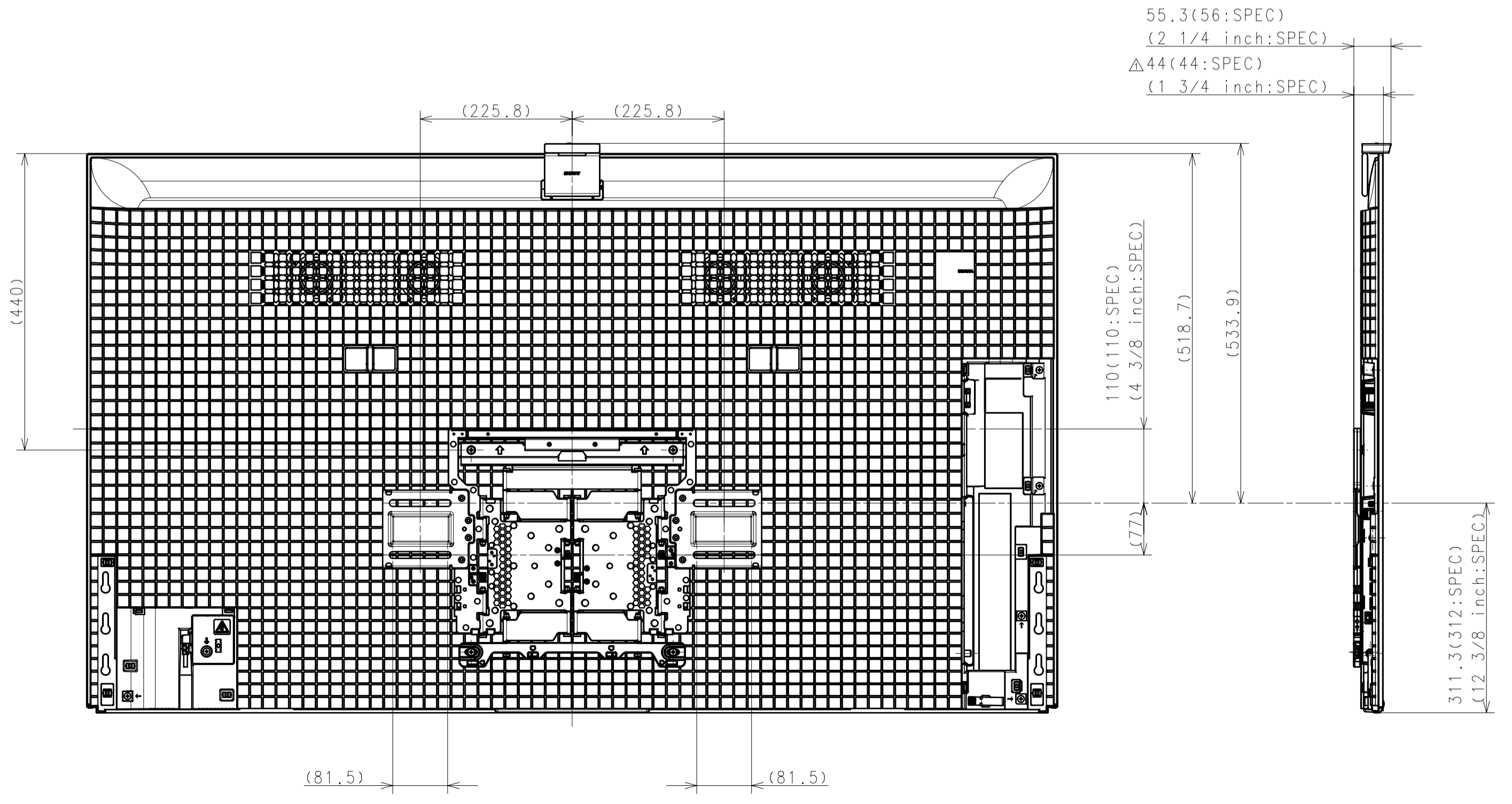
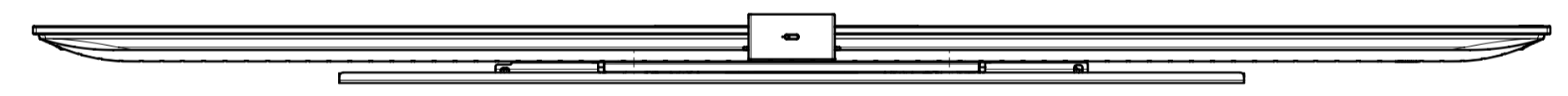
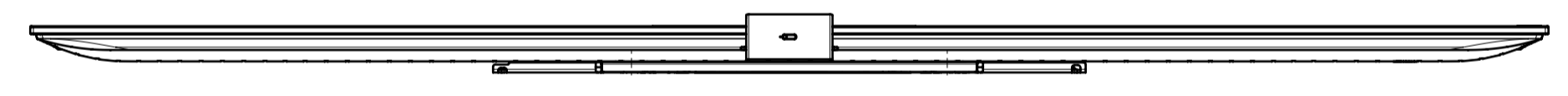
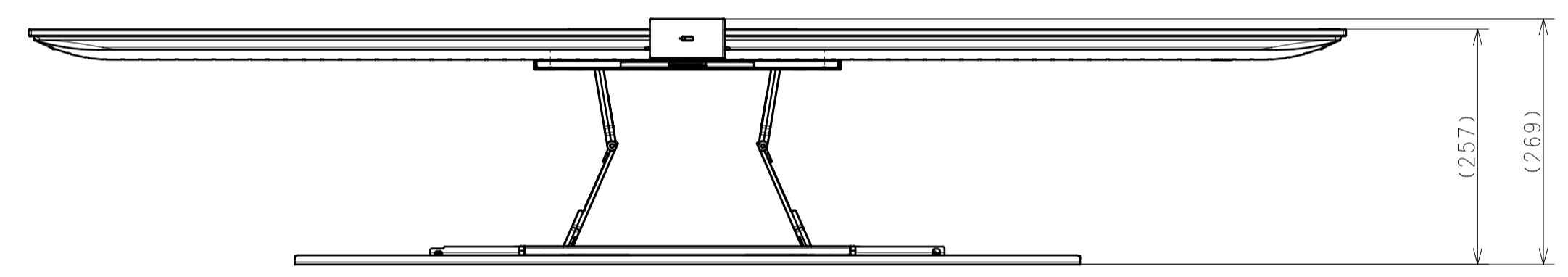
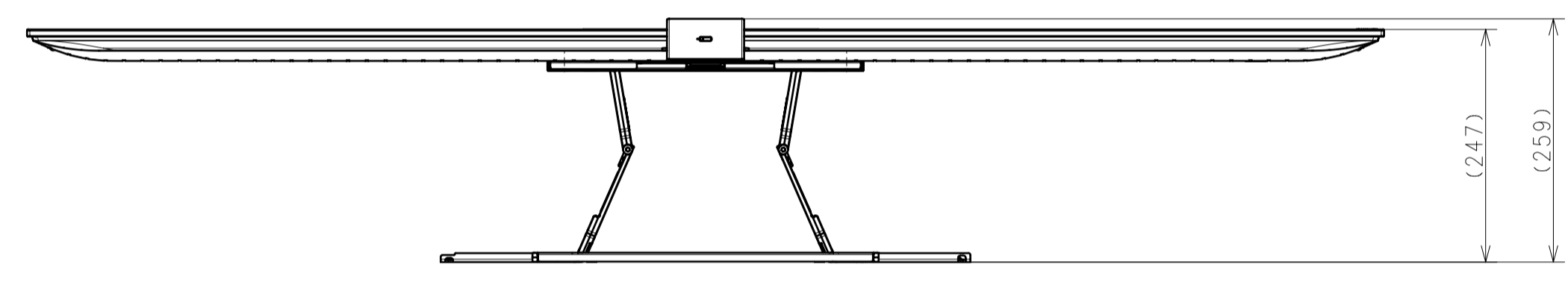
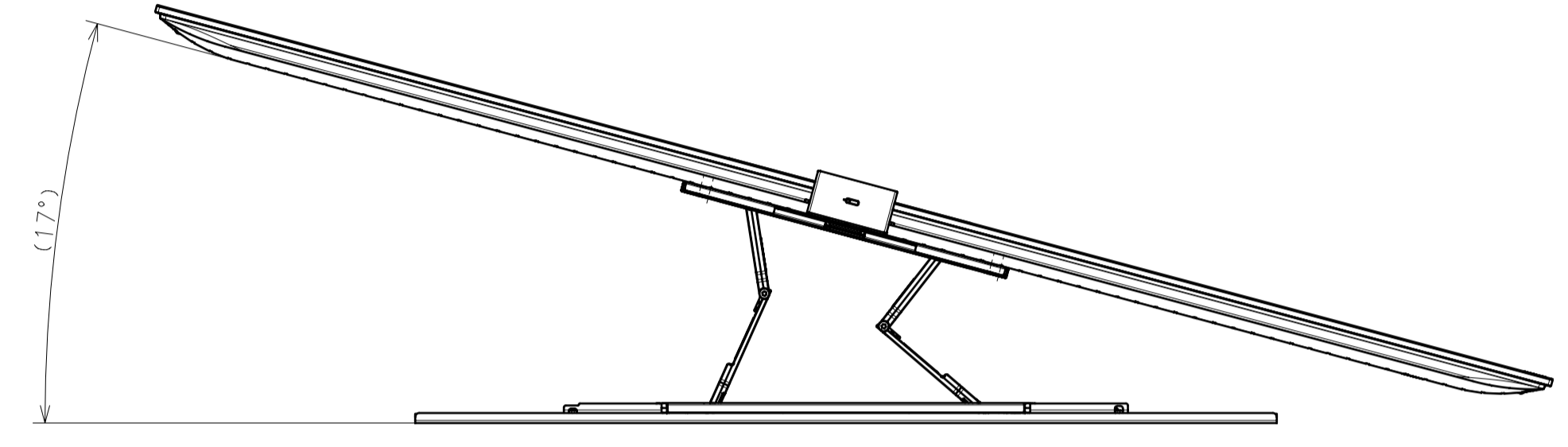
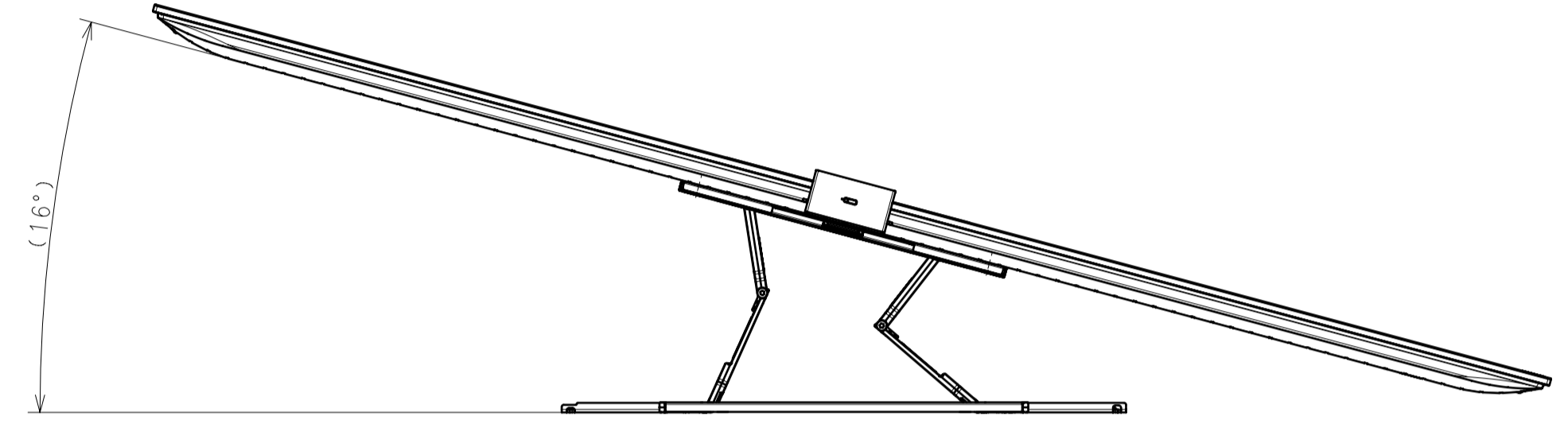
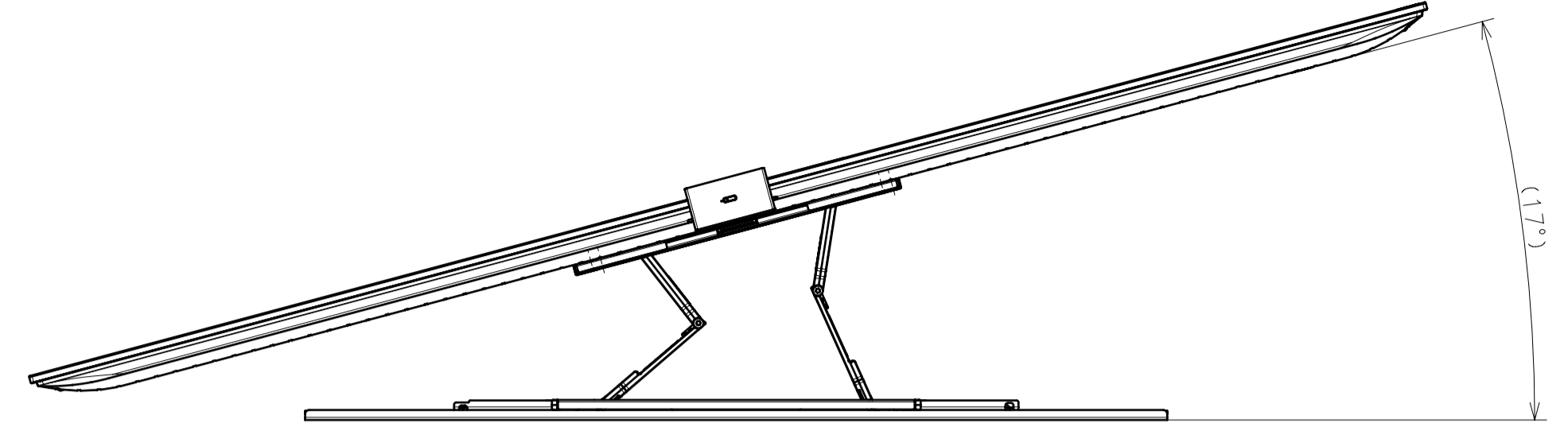
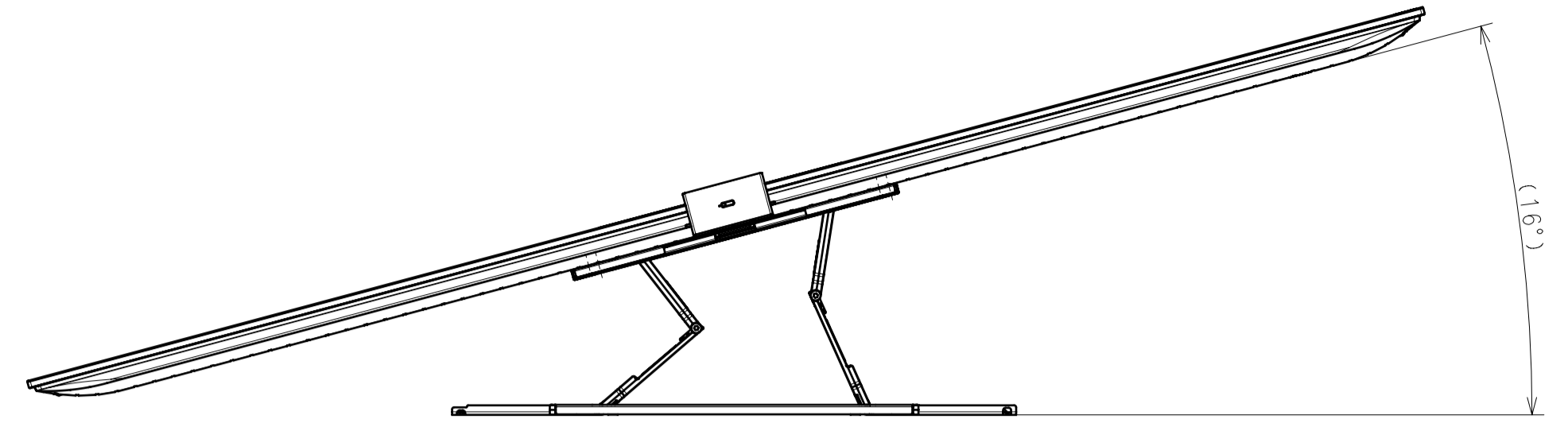
SU-WL450 STANDARD



DESCRIPTION 1 65(A95L) EXTERIOR VIEW	LEGAL OWNER Sony Corporation	SCALE 1:1
DESCRIPTION 2 65(A95L) EXTERIOR VIEW	PART NO.	SHEET/PAGES 3 / 4

SU-WL850

SU-WL855 with LATERAL SHAFT BRACKET



DESCRIPTION 1	65(A95L) EXTERIOR VIEW	LEGAL OWNER	Sony Corporation	SCALE	1:1
DESCRIPTION 2	65(A95L) EXTERIOR VIEW	PART NO.		SHEET/PAGES	4/4