

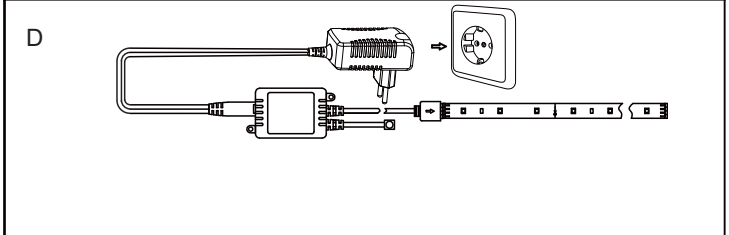
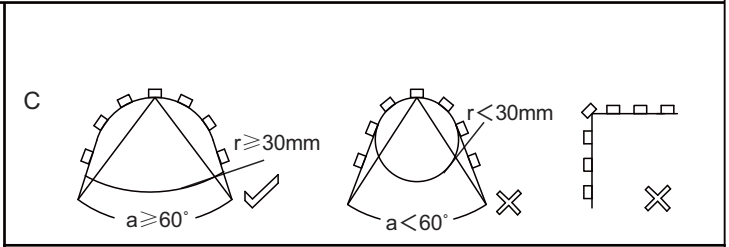
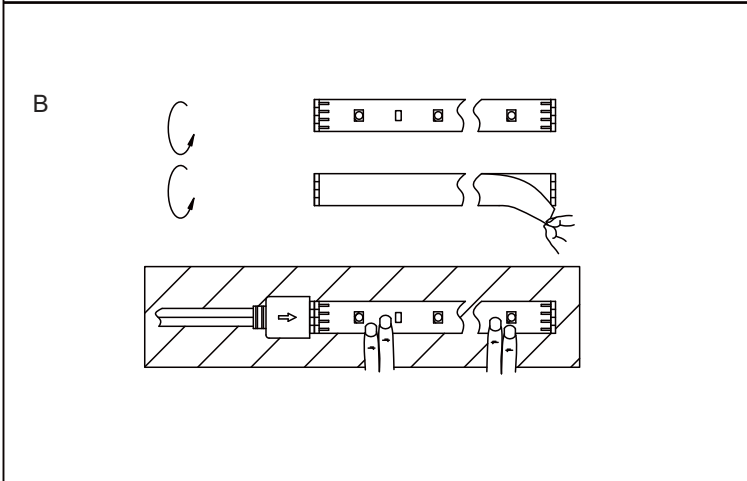
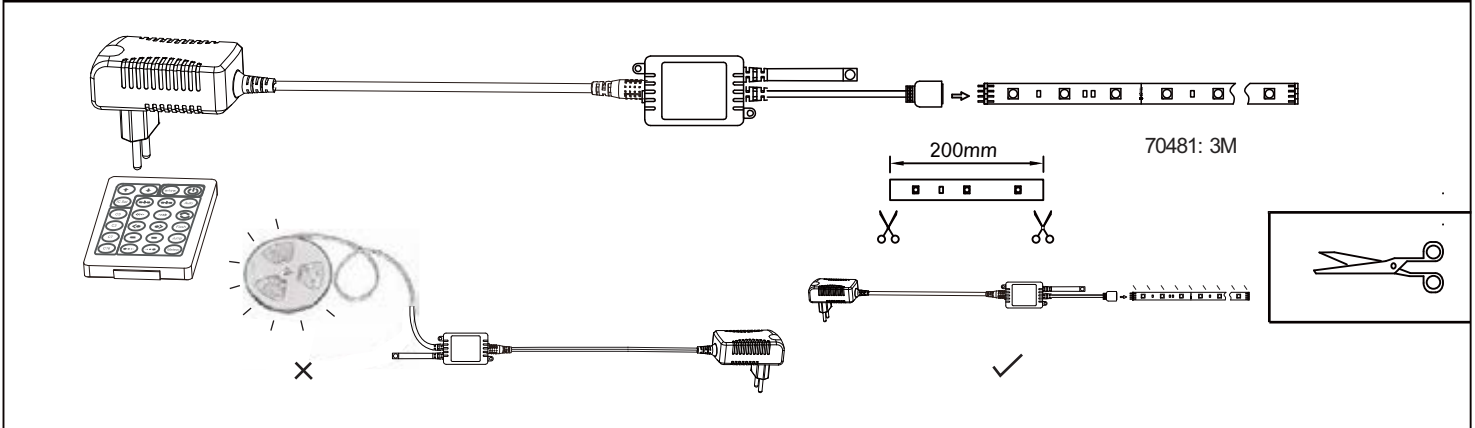
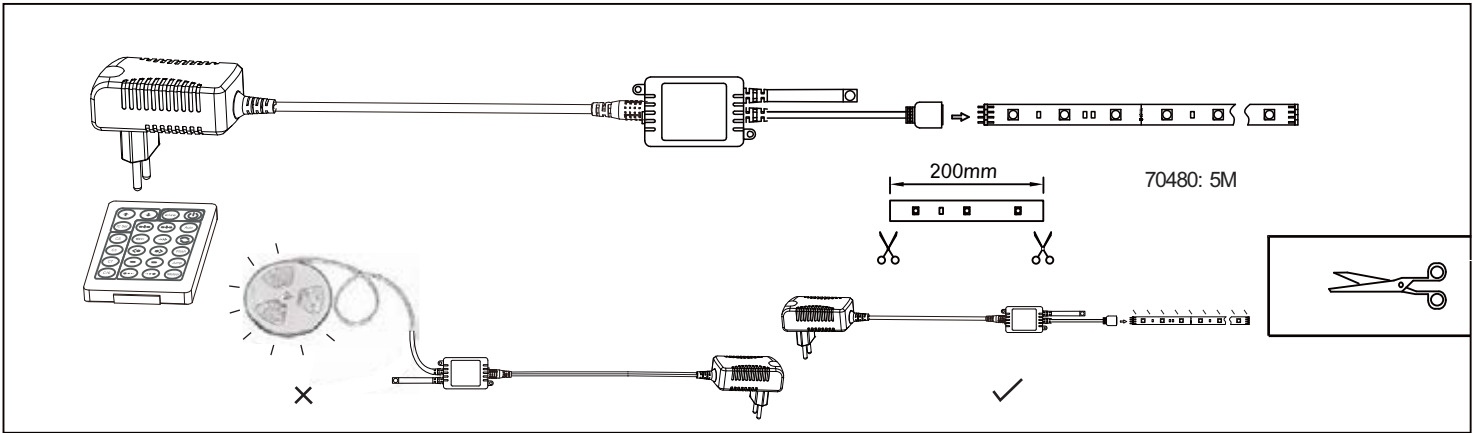


### Safety Instructions

0, 1, 6, 8, 11, 12, 15,  
22, 23, 25, 28

Info Hotline **+49 (0) 5041 998 389**  
 Mon. - Do. 7<sup>00</sup> - 20<sup>00</sup>  
 Fr. 7<sup>00</sup> - 17<sup>00</sup>  
**Paulmann Licht GmbH**  
 Quezinger Feld 2  
 31832 Springe / Germany  
[www.paulmann.com](http://www.paulmann.com)

Art.-Nr.:  
**704.80**  
**704.81**  
 (+MA 173)   
 PMK 09/14

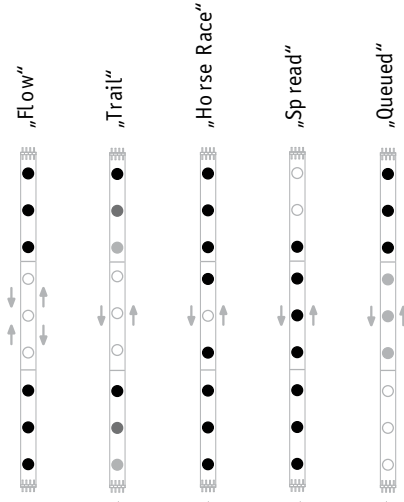
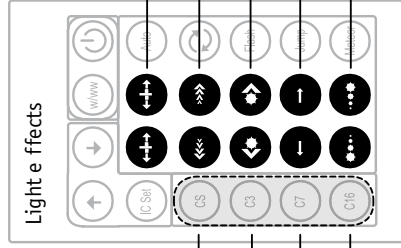
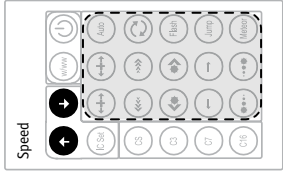
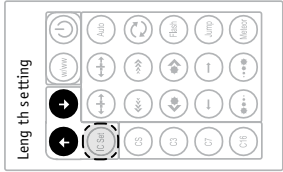
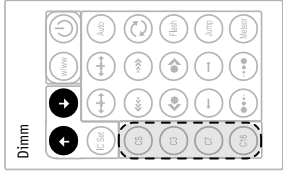


Correct

Incorrect



	Light increases when in static mode, speed increases when in dynamic mode and IC number increases when in IC setting mode		WWW/ shift key
	Light decreases when in static mode, speed decrease when in dynamic mode and IC number decreases when in IC setting mode		IC number setting
	flow to centre from two terminals (CS, C3, C7, C16)		Auto-cycle mode
	flow to two terminals from centre (CS, C3, C7, C16)		Trail into right $\hat{c}$ CS, C3, C7, C16 D
	eight-color choice key in static model		Trail into left $\hat{c}$ CS, C3, C7, C16 D
	Trail into right $\hat{c}$ CS, C3, C7, C16 D		Trail from two directions in turn
	three-color choice key in static model		Horse race to left direction (CS, C3, C7, C16)
	Horse race to right direction (CS, C3, C7, C16)		Flash function key (CS, C3, C7, C16)
	seven-color choice key in static model		spread to left (CS, C3, C7, C16)
	spread to right (CS, C3, C7, C16)		Jump efficient key (CS, C3, C7, C16)
	sixteen-color choice key in static model Minimum Length 3,2 M		Queued color running to left with a tag (CS, C3, C7, C16)
	Queued color running to right with a tag (CS, C3, C7, C16)		Queued color running with a tag from two directions in turn



Choose color  
3 color  
7 color  
16 color

