

**Safety Instructions** 



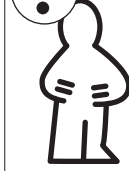
0,1,2,3,4,6,7,8,9,11,15,  
20,22,26,27

Info Hotline 

**+49 (0) 5041 998 389**

Mon. - Do. 7<sup>00</sup> - 20<sup>00</sup>

Fr. 7<sup>00</sup> - 17<sup>00</sup>



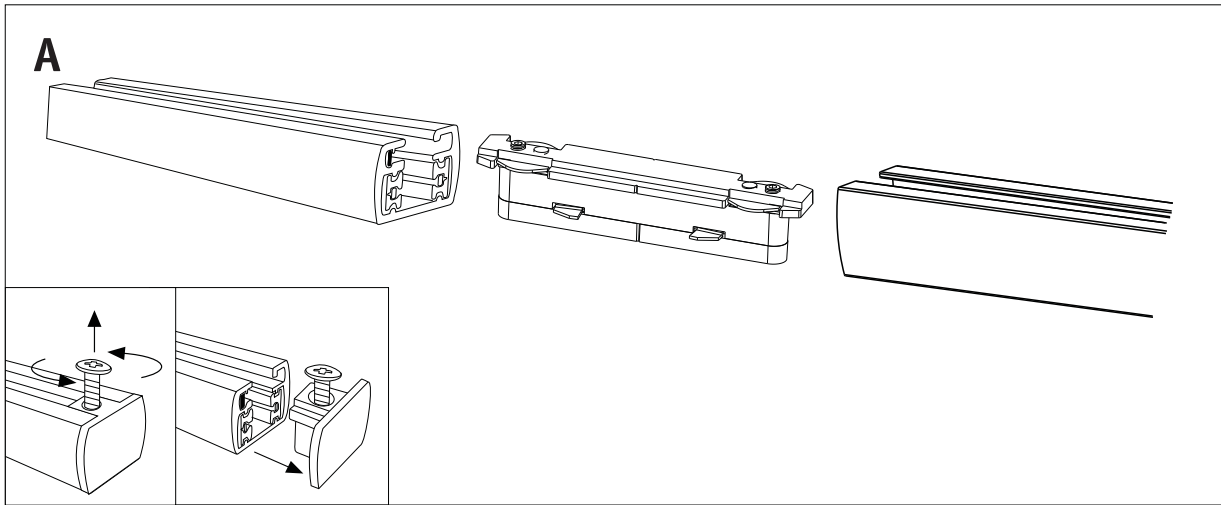
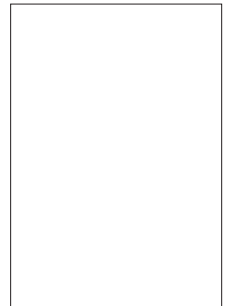
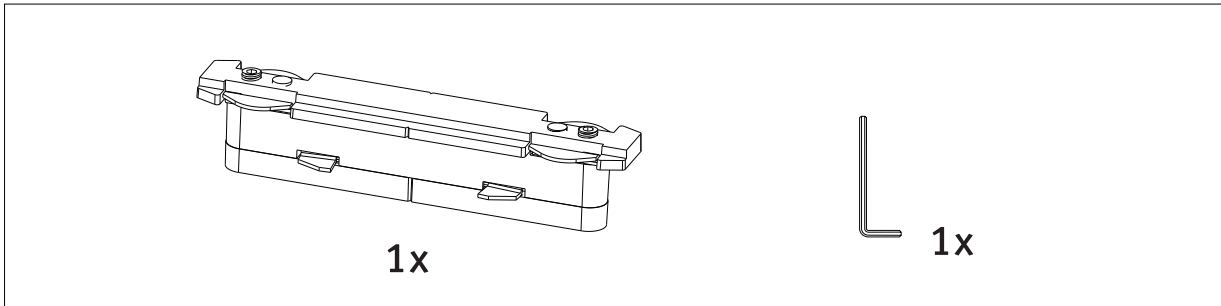
**Paulmann Licht GmbH**  
Quezinger Feld 2  
31832 Springe/Germany  
www.paulmann.com

Art.-Nr.:

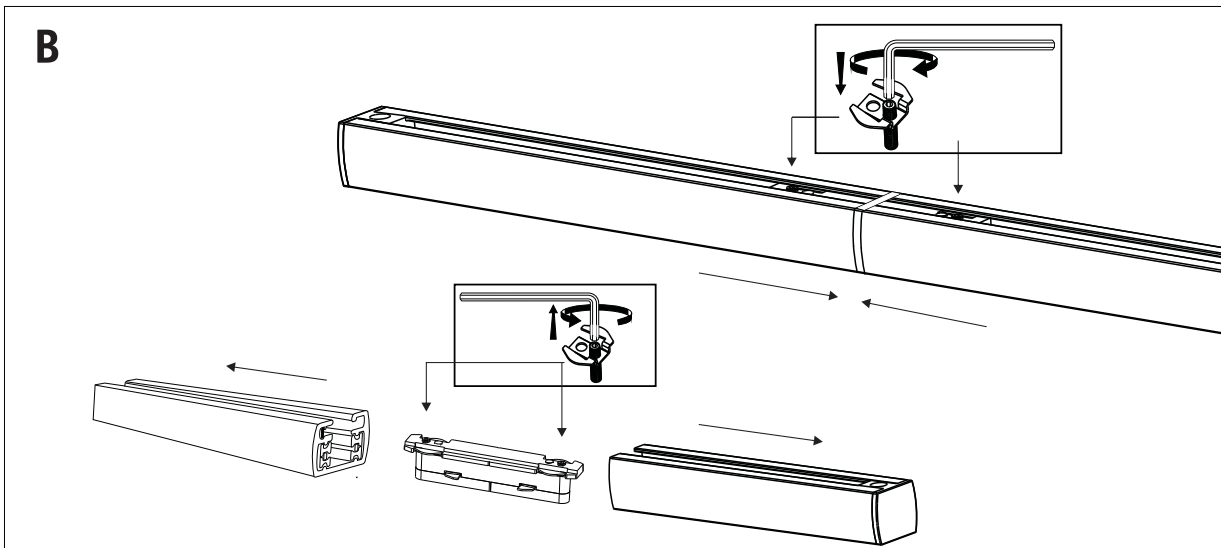
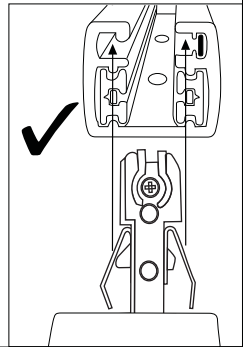
**951.36**

(+MA 173)

PH 10/13 



Safety Instructions  
**Nr. 0,1,2,4**



Safety Instructions  
**Nr. 0,1,2,4**

