



# Safety Instructions



0, 1, 4, 6, 7, 8, 9, 11, 15, 23, 26, 27



Info Hotline

+49 (0) 5041 998 389

Mon.-Do. 7<sup>00</sup>-20<sup>00</sup>

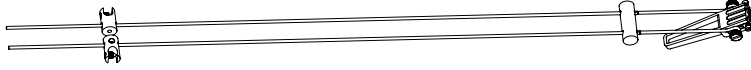
Fr. 7<sup>00</sup>-17<sup>00</sup>



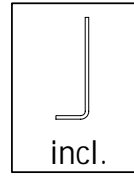
Paulmann Licht GmbH  
31832 Springe / Germany  
www.paulmann.com

Art.-Nr.:  
971229  
9711229

(+MA 173)  
PDG 05/10



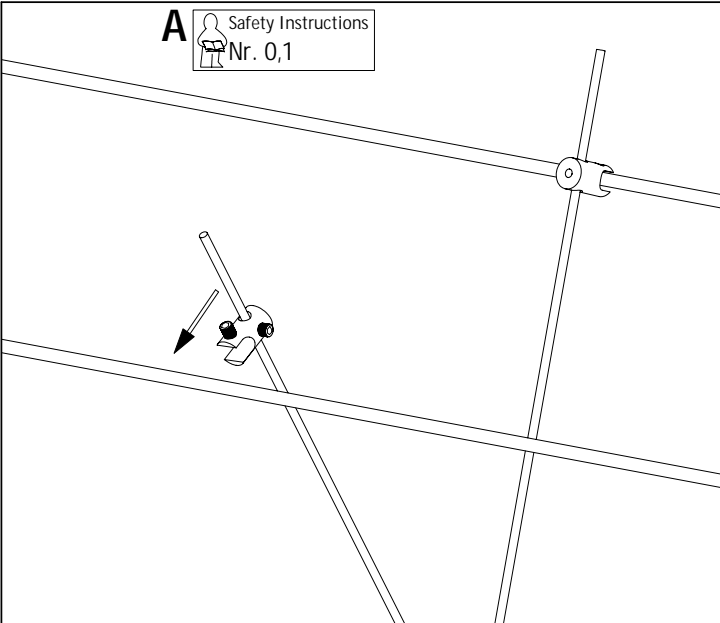
1x



incl.

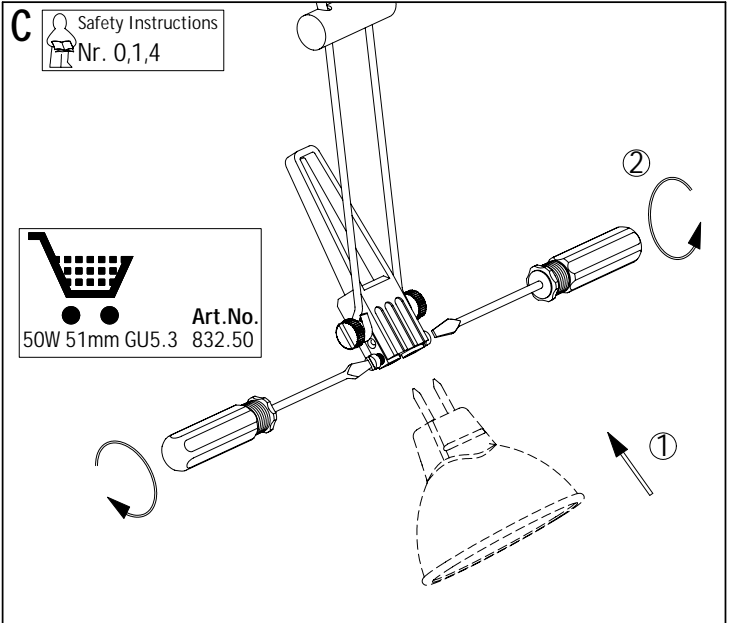


**A** Safety Instructions  
Nr. 0,1

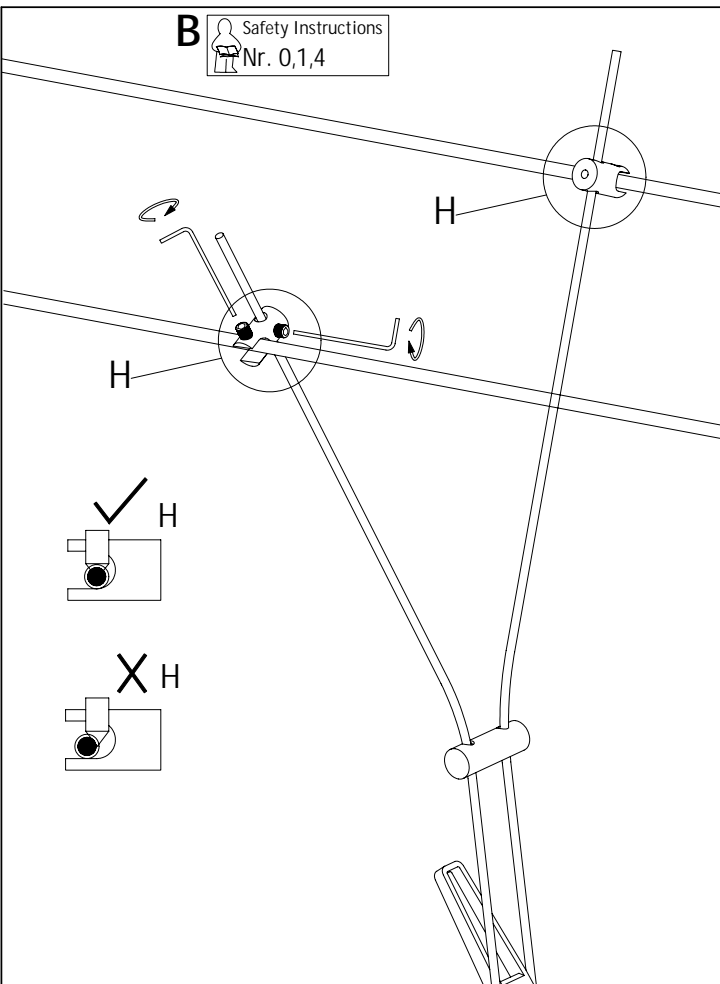


**C** Safety Instructions  
Nr. 0,1,4

Art.No.  
50W 51mm GU5.3 832.50



**B** Safety Instructions  
Nr. 0,1,4



A,B

Safety Instructions  
Nr. 9

>0.5m= 0.5m

