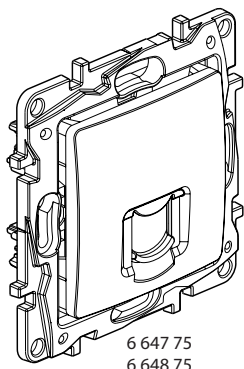
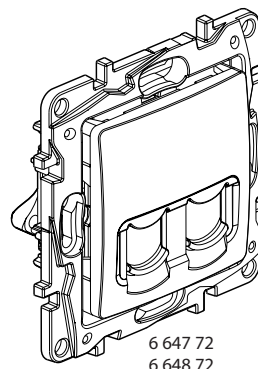


Niloé™ RJ sockets

Cat. No.(s) : **6 645 73/74/77 - 6 646 73/74**
6 647 69/70/72/73/74/75/76/77
6 648 69/70/72/73/74/75/76/77 - 6 651 77



6 647 75
6 648 75



6 647 72
6 648 72

1. USE

Niloé provides a range of RJ sockets:

- STP sockets - Cat. 6: multimedia, telephone, data, TV
- FTP/UTP sockets - Cat. 6/Cat.5: telephone, data
- RJ 11 sockets: telephone

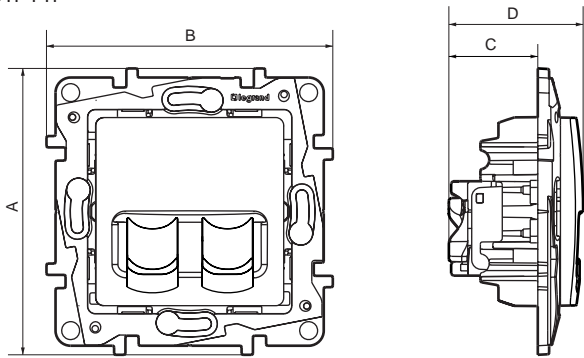
Mechanisms to be fitted with finishing plates. Flush-mounting or surface-mounting. Fixed using screws or clips with clip accessory

2. RANGE

* Supplied with protective cover		Colour			
		White RAL 903	Ivory RAL 113	Aluminium	Anthracite
	RJ 11 + RJ 45 cat 5 UTP	6 647 72*	6 648 72*		
	RJ 45 cat 6 UTP	6 645 73* 6 645 74* 6 647 73* 6 647 74*	6 646 73* 6 646 74* 6 648 73* 6 648 74*	6 653 73*	6 654 73*
	RJ 45 cat 6 FTP	6 645 77* 6 647 77*	6 648 77*		
	RJ 45 cat 6 STP	6 647 75* 6 647 76*	6 648 75* 6 648 76*		
	RJ 11 screw	6 647 69*	6 648 69*		
	RJ 11 + RJ 11 screw	6 647 70*	6 648 70*		
	RJ 45 cat. 5 FTP	6 651 77*	-		

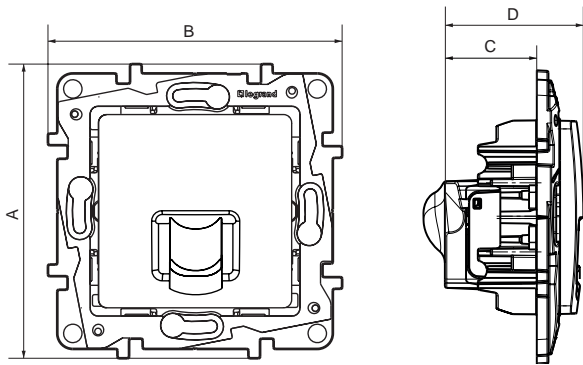
3. DIMENSIONS (mm)

UTP-FTP



6 645 73/74/77 - 6 646 73/74
6 647 73/74/77 - 6 648 73/74/77 - 6 651 77

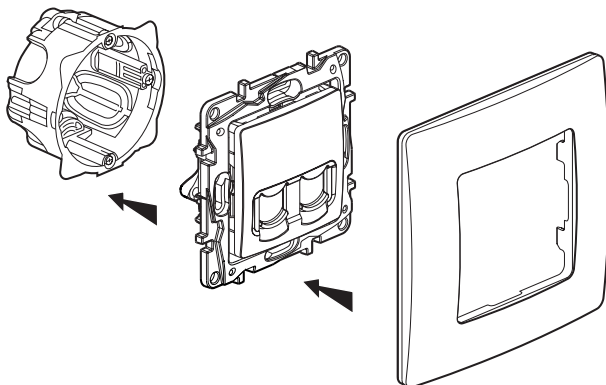
STP



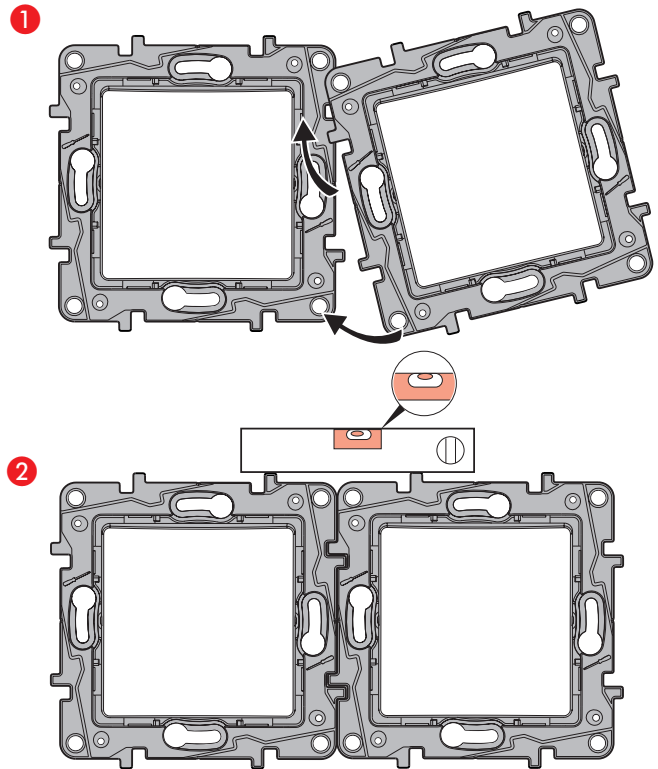
6 647 75/76 - 6 648 75/76

Cat. Nos.	A	B	C	D
6 645 73/74/77 - 6 646 73/74 6 647 73/74/77 - 6 648 73/74/77 6 651 77	75.8	75.8	23.5	35.5
6 647 73/74/77 - 6 648 73/74/77 6 651 77	75.8	75.8	29.2	41.2

4. POSITIONING



5. TECHNICAL CHARACTERISTICS



5.1 Protection class

Protection against solid bodies and liquids: IP 20
Protection against impacts: IK 04

5.2 Materials

Poly gloss appearance
Colour: White (RAL 903), Ivory (RAL 113), Aluminium and Anthracite
Material: - Plate: ABS
- Cover plate: Polycarbonate
- Zero halogen
- UV resistant

Self-extinguishing:

+ 850°C/30 s for insulating parts holding live parts in place
+ 650°C/30 s for other parts made of insulating materials

5.3 Climate conditions

Storage and operating temperature: - 5°C to + 35°C

5.4 Support

Material: Grey (RAL 737) polycarbonate, zero halogen
High impact resistance and torsional strength due to the thickness of the support

Easy guidance for positioning the mechanisms

Horizontal or vertical alignment without lifting up the mechanisms too much

5.5 Protective cover

Material: APET, polyester-based plate, very clear, highly resistant to impacts and chemical agents

6. CLEANING

Easy-clean (due to poly gloss surface)

7. STANDARDS AND APPROVALS

RJ 45: Conforming to standards: ISO/IEC 11801
CENELEC EN 50173
ANSI/TIA 568 C.2
ISO/IEC series 60603-7