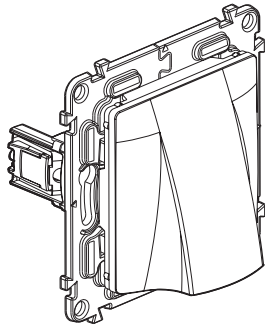
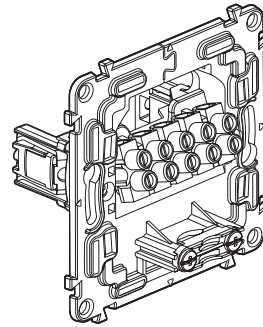


**Valena™ Life - Valena™ INMATIC**  
**Cable outlets**

**Cat. No.(s): 7 531 33/34 - 7 532 33/34 - 7 533 33/34  
 7 530 33/34**



7 531 33/34 - 7 532 33/34 - 7 533 33/34



7 530 33

**1. USE**

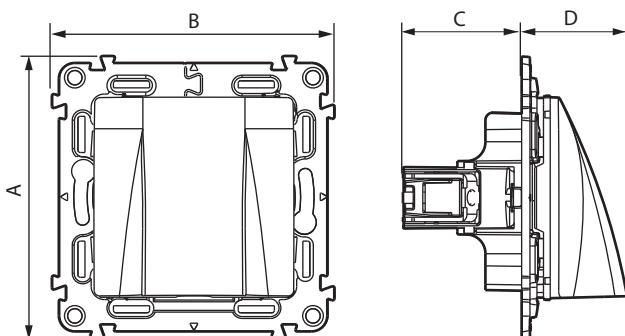
Cable outlets.  
 Mechanisms supplied with:  
 - Support frames  
 - Site protection cover  
 To be equipped with plates.  
 One-gang installation, flush-mounting or surface-mounting.

**2. RANGE**

Description	Blanc	Ivoire	Aluminium	Without cover plate
Cable outlets with terminals Equipped with cable grips Maximum diameter of the cable: 12 mm With claws	7 531 33	7 532 33	7 533 33	7 530 33
Cable outlets without terminals Equipped with cable grips Maximum diameter of the cable: 12 mm With claws	7 531 34	7 532 34	7 533 34	7 530 34

**3. OVERALL DIMENSIONS (mm) (continued)**

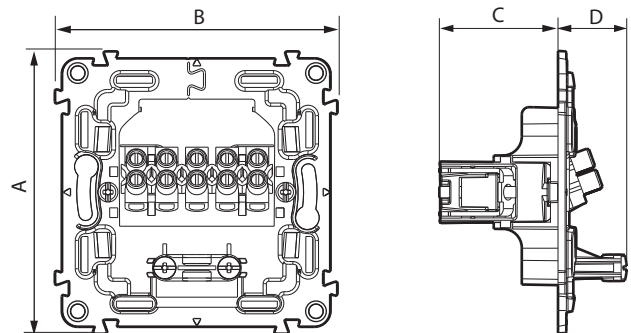
Cat. No . 7 531 33



References	A	B	C	D
7 531 33/34 7 532 33/34 7 533 33/34	74.7	74.7	31.4	27.8

**3. OVERALL DIMENSIONS (mm) (continued)**

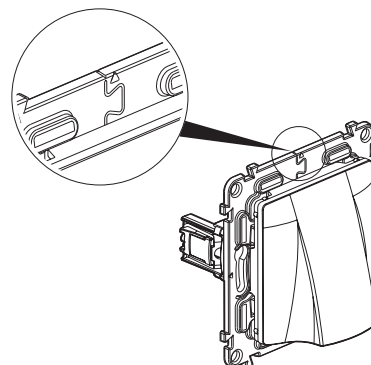
Cat. No . 7 530 33



References	A	B	C	D
7 530 33/34	74.7	74.7	31.4	18.17

**4. INSTALLATION**

Open the support frame for the wires .



**4. CONNECTION**

Type of terminals: with screws  
 Capacity: 5 x 1.5 mm<sup>2</sup> - 3 x 2.5 mm<sup>2</sup>  
 Stripping length: 5 mm  
 Compatible flexible or rigid cables.

## 5. TECHNICAL CHARACTERISTICS

### ■ 5.1 Mechanical characteristics

Protection against solid bodies and liquids: IP 21  
Protection against impact: IK 04

### ■ 5.2 Material characteristics

Polygloss appearance  
Colour: - White RAL 903  
- Ivory RAL 113  
- Aluminium

Material: - Cover plates: ABS  
- Halogen free  
- UV resistant

Material of the support: - Polycarbonate grey RAL 737  
- Halogen free

Self-extinguishing:

- + 850° C / 30 s for insulating parts holding live parts in place
- + 650° C / 30 s for other parts made of insulating materials.

### ■ 5.3 Electrical characteristics

Voltage: 250 V~  
Current: 16 A  
Frequency: 50/60 Hz

### ■ 5.4 Climatic characteristics

Storage and use temperature: - 5° C to + 35° C

## 6. MAINTENANCE

Surface cleaning with a cloth.

Do not use: acetone, tar remover, trichloroethylene.

Maintenance with the following products: Hexane (EN 60669-1),  
Methylated spirit, Soapy water, Diluted ammonia, Bleach diluted to 10%,  
Window-cleaning products.

**Caution:** A preliminary test should be carried out if other specific  
cleaning products are to be used.

## 7. STANDARDS AND APPROVALS

Compliance with standards of installation and manufacturing.  
Refer to e. catalogue.