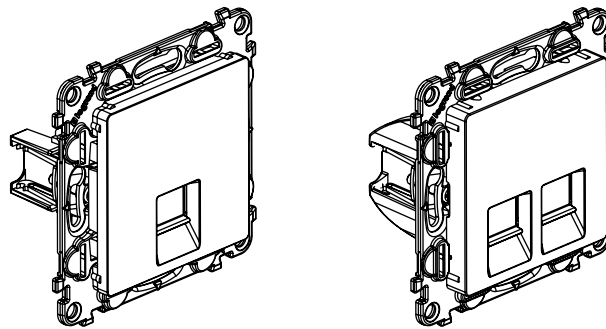


**Valena Life™ - Valena™ INMATIC**  
**RJ11 - RJ12 sockets**

**Cat. Nos: 7 530 38/39 - 7 531 37/38/39**  
**7 532 37/38/39 - 7 533 37/38/39**  
**7 554 10/11/12/20/21/22**



**1. USE**

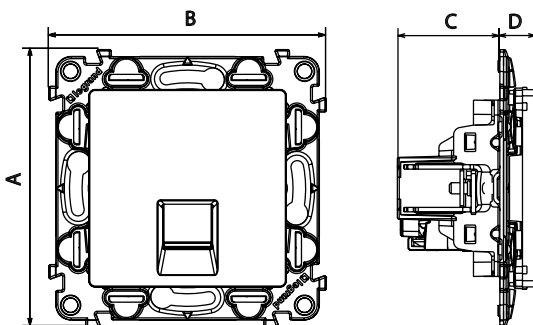
Telephone socket:

- Fitted with a modular Jack connector with 1/4-turn terminals for fast connection
- Option of tap-off connection
- RJ11 (4 contacts)
- RJ12 (6 contacts)
- To be fitted with one-gang or multi-gang faceplates
- Flush-mounting or surface-mounting.
- Screw or clip fixing

**2. RANGE**

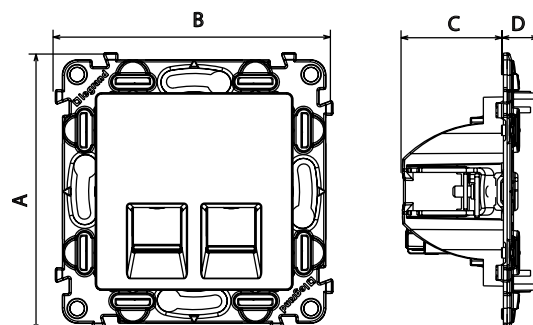
Description	Mechanism + cover plate			Mechanism only	Cover plate only		
	White	Ivory	Aluminium		White	Ivory	Aluminium
RJ11 double socket	7 531 39	7 532 39	7 533 39	7 530 39	7 554 20	7 554 21	7 554 22
RJ11 socket	7 531 38	7 532 38	7 533 38	7 530 38	7 554 10	7 554 11	7 554 12
RJ12 socket	7 531 37	7 532 37	7 533 37	-	-	-	-

**3. DIMENSIONS (mm)**



7 531 37/38 - 7 532 37/38 - 7 533 37/38

**3. DIMENSIONS (mm) (continued)**



7 531 39 - 7 532 39 - 7 533 39

Cat. Nos.	A	B	C	D
7 531 37 - 7 532 37 - 7 533 37			27.6	
7 531 38 - 7 532 38 - 7 533 38	74.7	74.7	27.6	9.8
7 531 39 - 7 532 39 - 7 533 39			27.2	

## 6. TECHNICAL CHARACTERISTICS

### ■ 6.1 Mechanical characteristics

Maximum number of connections and disconnections: 5 without replacing the wire.

Endurance: 750 operations (plugging in/unplugging).

Impact test: IK 04

IP 21

### ■ 6.2 Material characteristics

**Casing:** Poly gloss appearance

**Colour:** - White RAL 903  
- Ivory RAL 113  
- Aluminium

**Material:** - Plate: ABS/PC  
- Cover plate: ABS  
- Zero halogen  
- UV resistant

**Motor:** - Cylinder support: ABS  
- Cylinder: polycarbonate/PC  
- Jack: ABS  
- Metal band: chrysocolla (RJ11)/bronze (RJ12)

**Support:** - Polycarbonate/Metal  
- Zero halogen

### ■ 6.3 Electrical characteristics

Breakdown voltage 1000 VDC

Contact resistance 20 mΩ

Insulation resistance 500 mΩ at 100 VDC

### ■ 6.4 Climate characteristics

Storage and operating temperature: -5°C to +35°C

## 7. CARE

Clean the surface with a cloth.

Do not use acetone, tar-removing cleaning agents or trichloroethylene.

Resistant to the following products: Hexane (EN 60669-1), methylated spirit, soapy water, diluted ammonia, bleach diluted to 10%, window-cleaning products, pre-impregnated wipes.

**Caution:** Always test before using other special cleaning products.

## 8. STANDARDS AND APPROVALS

Conforming to standards: ISO/IEC 11801 Ed2 and Amd.

CENELEC EN 50173-1 2007

ANSI/EIA/TIA 568-C.2

IEC series 60603-7