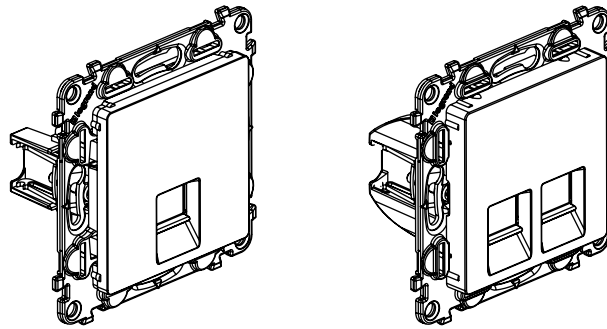


**Valena Life™ - Valena™ INMATIC**  
**Cat. 6 RJ45 sockets**

**Cat. Nos: 7 530 42/43/46/47 - 7 531 42/43/46/47**  
**7 532 42/43/46/47 - 7 533 42/43/46/47**  
**7 554 10/11/12/20/21/22**



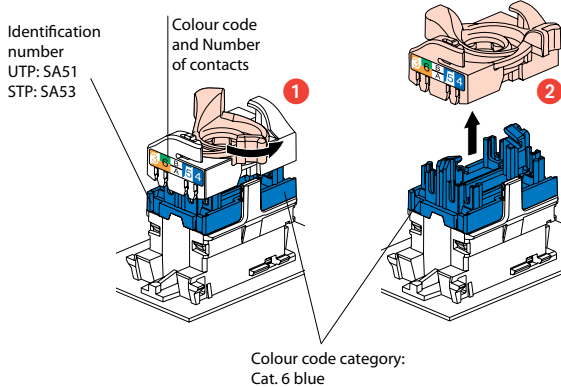
**1. USE**

Category 6 RJ45 socket.  
 Allows high-speed transmissions (Gigabit Ethernet).

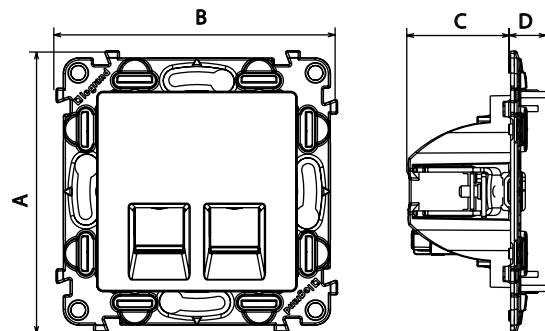
**2. RANGE**

Description	Mechanism + cover plate			Mechanism only	Cover plate only		
	White	Ivory	Aluminium		White	Ivory	Aluminium
UTP Cat. 6 RJ45 (claw fixing)	7 531 42	7 532 42	7 533 42	7 530 42	7 554 10	7 554 11	7 554 12
STP Cat. 6 RJ45 (claw fixing)	7 531 46	7 532 46	7 533 46	7 530 46			
Double UTP Cat. 6 RJ45 (claw fixing)	7 531 43	7 532 43	7 533 43	7 530 43	7 554 20	7 554 21	7 554 22
Double STP Cat. 6 RJ45 (claw fixing)	7 531 47	7 532 47	7 533 47	7 530 47			

**3. PRESENTATION**

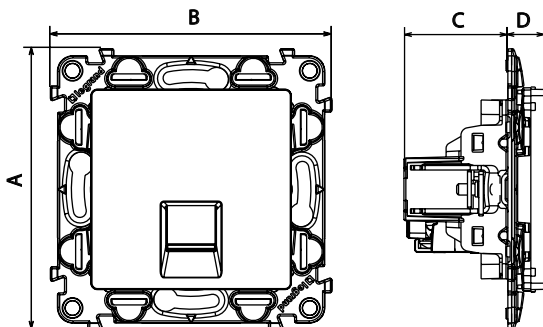


**4. DIMENSIONS (mm) continued**



7 531 43/47 - 7 532 43/47 - 7 533 43/47

**4. DIMENSIONS (mm)**

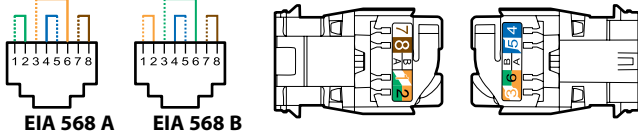


7 531 42/46 - 7 532 42/46 - 7 533 42/46

Cat. Nos.	A	B	C	D
7 531 42/46 - 7 532 42/46 - 7 533 42/46	74.7	74.7	27.6	9.8
7 531 43/47 - 7 532 43/47 - 7 533 43/47			27.2	

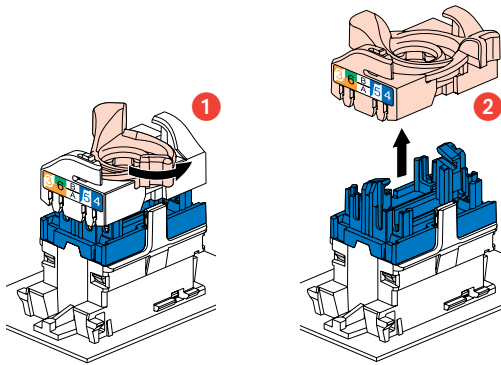
**5. STANDARD RJ45 CONNECTION**

Takes the following plugs:  
 RJ45 (9 contacts).  
 EIA/TIA 568 A and B dual colour code on terminals:  
 - UTP/STP (9 contacts)

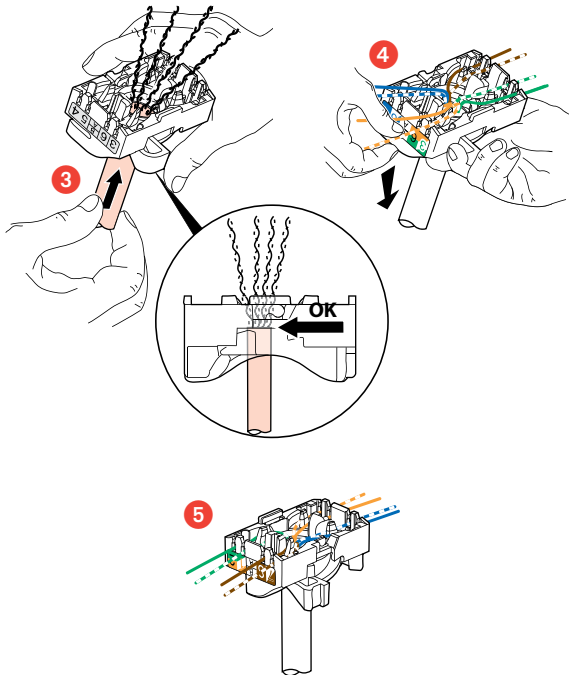


Permissible conductors:  
 - Single-core: AWG 22 to 25  
 - Multicore: AWG 26  
 - Polyethylene conductor insulation: maximum Ø on insulation 1.58 mm

RJ45 connectors are equipped with a locking nut. They do not require a special tool and can be re-wired if a mistake is made. This system makes it easy to spread pairs before fitting them onto the connector.



Spreading the cables ensures that a pair-breakage distance of 13 mm is kept between each pair.



Spreading pairs at 90° to the cable ensures the best possible performance.

**6. TECHNICAL CHARACTERISTICS**

■ **6.1 Mechanical characteristics**

Maximum number of connections and disconnections: 5 without replacing the wire.  
 Endurance: 2500 operations (plugging in/unplugging).  
 Impact test: IK 04  
 IP 21

■ **6.2 Material characteristics**

**Casing:** Poly gloss appearance

**Colour:** - White RAL 903  
 - Ivory RAL 113  
 - Aluminium

**Material:** - Plate: ABS/PC  
 - Cover plate: ABS  
 - Zero halogen  
 - UV resistant

**Motor:** - Contacts: gold/nickel, thickness of gold > 0.8 em minimum  
 - Metal parts: bronze, nickel, platinum, gold  
 - Polycarbonate PBT

**Support:** - Polycarbonate/Metal  
 - Zero halogen

■ **6.3 Electrical characteristics**

Breakdown voltage 1000 VDC  
 Contact resistance 20 mΩ  
 Insulation resistance 500 mΩ at 100 VDC  
 Connector tested and guaranteed under POE signal stress, standard IEEE 802.3af and POE+, draft standard 802.3at, up to 500 load connections/disconnections.

Tests are carried out with 2 simultaneous POE+ circuits for a minimum total power of 60 VDC and 0.7 A.

■ **6.4 Climate characteristics**

Storage and operating temperature: -5°C to +35°C

**7. CARE**

Clean the surface with a cloth.  
 Do not use acetone, tar-removing cleaning agents or trichloroethylene.  
 Resistant to the following products: Hexane (EN 60669-1), methylated spirit, soapy water, diluted ammonia, bleach diluted to 10%, window-cleaning products, pre-impregnated wipes.

**Caution:** Always test before using other special cleaning products.

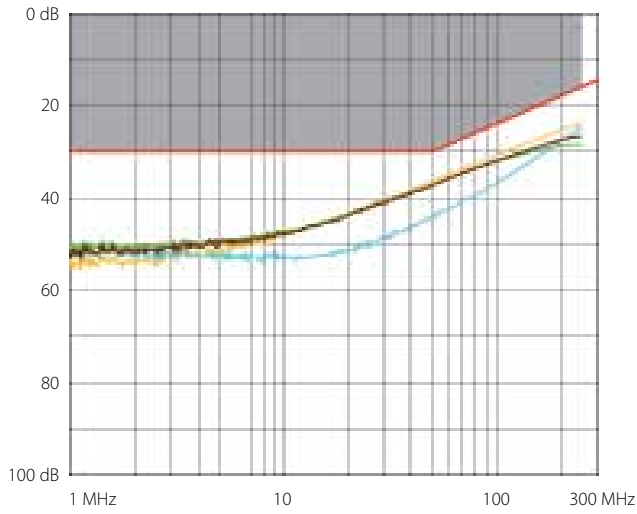
**8. STANDARDS AND APPROVALS**

Conforming to standards: ISO/IEC 11801 Ed2 and Amd.  
 CENELEC EN 50173-1 2007  
 ANSI/EIA/TIA 568-C.2  
 IEC series 60603-7

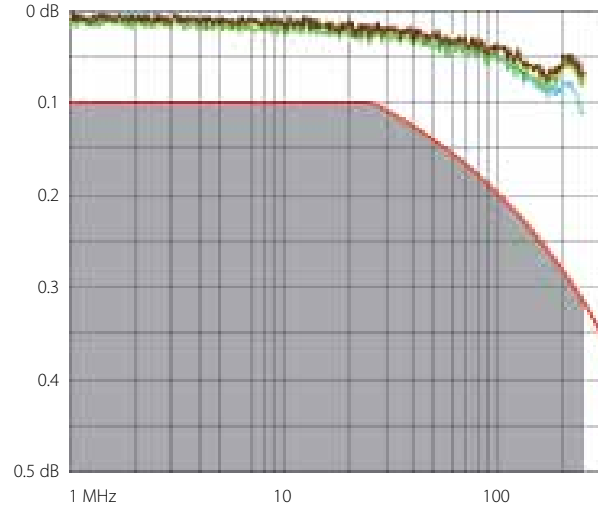
**9. PERFORMANCE**

■ **9.1 Performance of components (RJ45 connectors)**

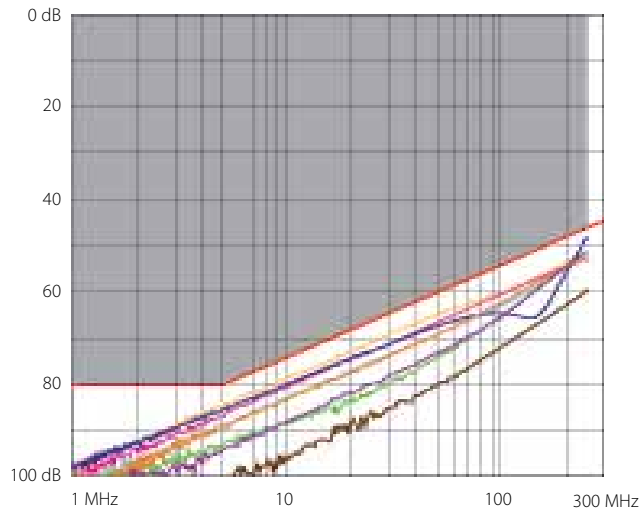
Return loss



Attenuation



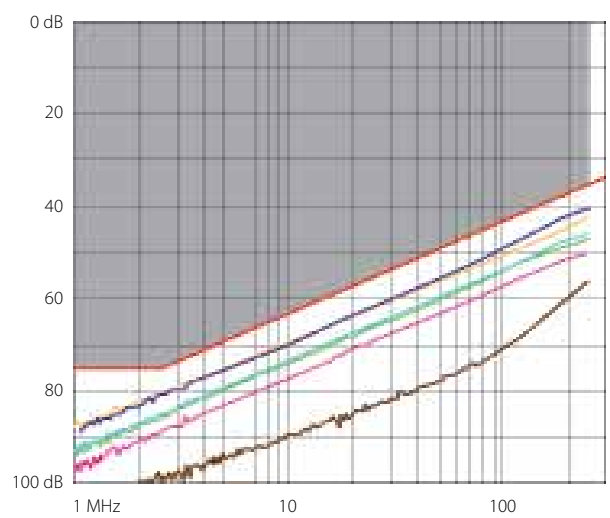
NEXT (Near End Crosstalk Attenuation)



**9. PERFORMANCE (continued)**

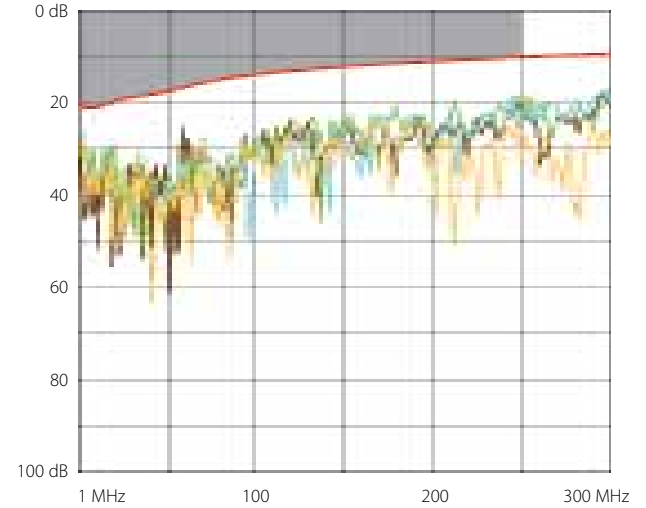
■ **9.1 Performance of components (RJ45 connectors)**

FEXT (Far End Crosstalk Attenuation)

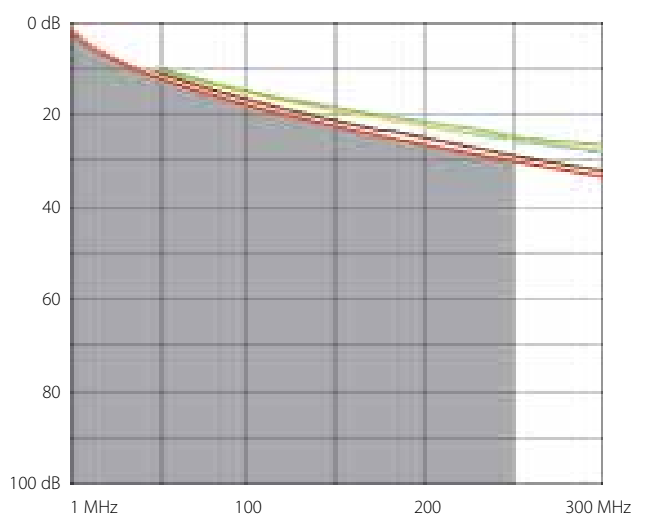


■ **9.2 Performance of permanent link with F/UTP cable**

Return loss

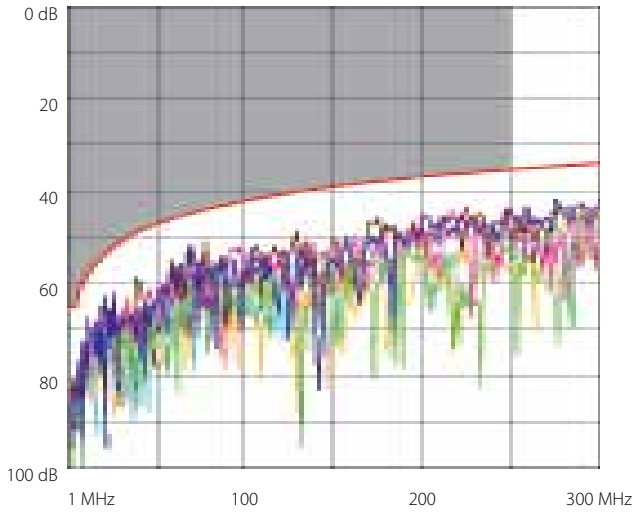


Attenuation

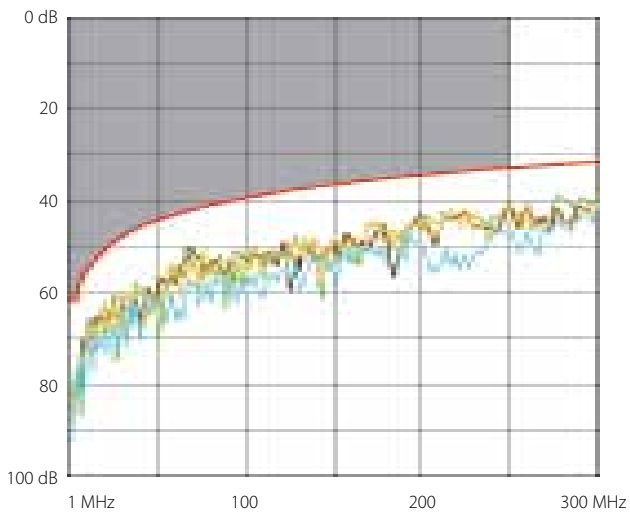


**9. PERFORMANCE** (continued)

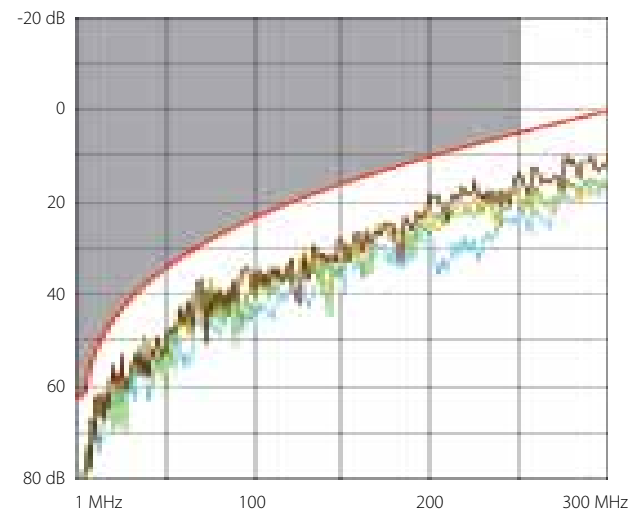
■ **9.2 Performance of permanent link with F/UTP cable**  
**NEXT (Near End Crosstalk Attenuation)**



**PS NEXT (Power Sum NEXT)**

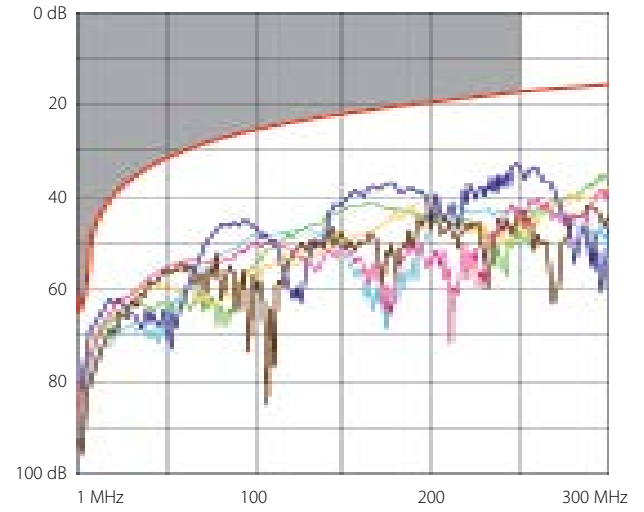


**ACR (Attenuation to Crosstalk Ratio)**



**9. PERFORMANCE** (continued)

■ **9.2 Performance of permanent link with F/UTP cable** (continued)  
**ELFEXT (Equal Level Far End Crosstalk Attenuation)**



**Delay skew**

