

The *3-circuit* system



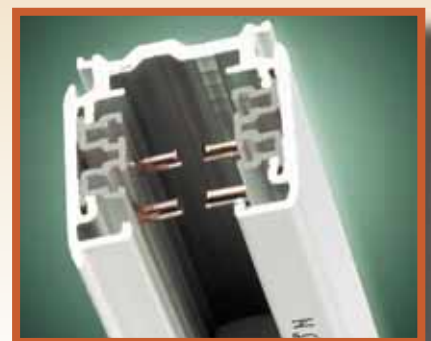
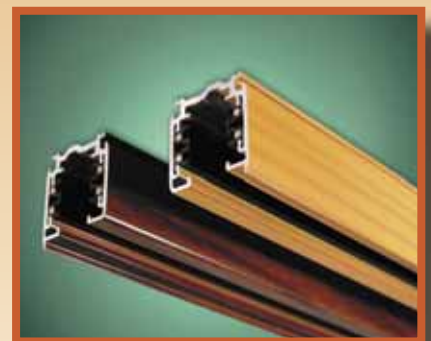
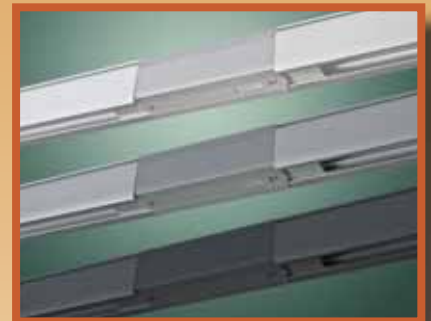
GLOBAL ^{trac}® *pro*

GLOBAL pro, the 3-circuit lighting track system

The **GLOBAL pro** system of the **GLOBAL trac**® family is a complete track system for shops, department stores, public facilities, museums, factories, ships, etc. Leading lighting fixture manufacturers prefer **GLOBAL pro** which is the most commonly used three-circuit system in Europe. The **GLOBAL pro** is a new generation of the previous **NOKIA XTS** system and compatible with it. The use of **GLOBAL pro** relieves the specifier of the difficult task of determining the electric outlet points accurately in advance. Other members of the **GLOBAL trac**® family are the **GLOBAL base** and the **GLOBAL control**. The **GLOBAL pro** lighting tracks are designed for easy surface mounting in ceilings and walls, or for recessed mounting in suspended ceilings. Our complete suspension system gives a refined finishing to any suspended **GLOBAL pro** installation. **GLOBAL pro** tracks can also be supplied customized in different lengths, curves and bends.

GLOBAL trac®, **MULTI-adapter**™ and **FIX-point**™ are trade marks of Nordic Aluminium Plc.

All packing material is recyclable for environmental management.



Tracks



Adapters

A special feature of the **GLOBAL pro** system is that it ensures convertibility. You can adjust the lighting according to your requirements.

The **GLOBAL pro** is a flexible choice for lighting, you can decide the placing of your spotlights depending on the decoration and the layout. The level of lighting is regulated easily and smoothly. The three-phase system comprises three individually controlled circuits for an easy regulation of both intensity and brightness.

The **GLOBAL pro** offers adapters for different uses:

Circuit-selector adapters:

- MULTI-adapter™ XTSA 68 for heavy fixtures.
- MULTI-adapter™ GA 69.
- XTSA 66, the small recessed adapter.

The universal adapters, MULTI-adapter™ XTSA 68 and MULTI-adapter™ GA 69, suit almost every three-circuit track on the market.

- GAT 69 trafo-adapter.

Other adapters:

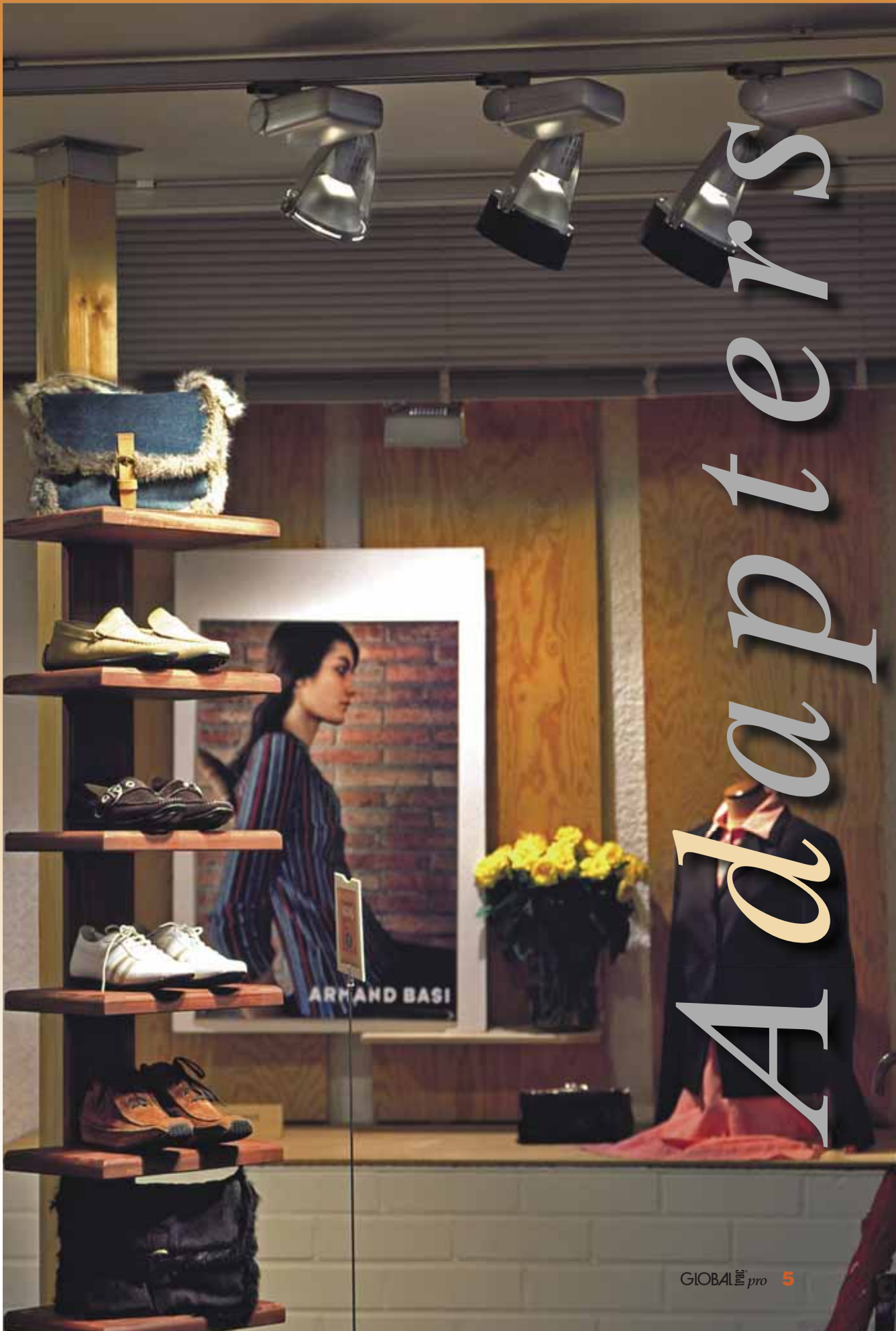
- XTSA 67 for fluorescent fixtures and 1-3 phase power takeoffs.
- GAT 69 trafo-adapter.

Lighting fixtures from different sources are easy to connect to the adapters with a wide selection of nipples.

Multi-adapter™ is trade mark of Nordic Aluminium Plc.



Adapters



Accessories

The tracks can be mounted at right angles and with the adjustable corner connector at different angles or levels depending on structural requirements. Easy and quick mounting, besides flexibility, are some of the fundamental principles in the design of the system.

Also I, L, T and X-connectors are fitted for power supply. The accessories are designed in modular dimensions, allowing installation in exact squares and rectangles. The covers open wide for mounting and the power cable is easy to connect.



Accessories



3-circuit lighting tracks

(L₁+L₂+L₃+neutral+earth)

16A/400V

Protection IP20

Tracks

| | Length in mm |
|----------|--------------|
| XTS 4100 | 1000 |
| XTS 4200 | 2000 |
| XTS 4300 | 3000 |
| XTS 4400 | 4000 |

Recessed tracks

| | Length in mm |
|-----------|--------------|
| XTSF 4100 | 1000 |
| XTSF 4200 | 2000 |
| XTSF 4300 | 3000 |
| XTSF 4400 | 4000 |

Available colours:

- 1 natural anodised aluminium
- 2 black, RAL 9005
- 3 white, RAL 9010

Accessories

Feeds

- XTS 11 End feed
- XTS 12 End feed, mirror image
- XTS 14 Middle feed

Connectors

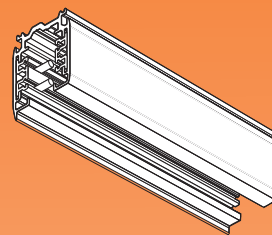
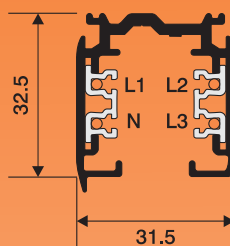
- XTS 21 Straight connector
- XTS 23 Flexible corner connector
- XTS 24 Adjustable corner connector
- XTS 34 L-connector
- XTS 35 L-connector
- XTS 36 T-connector
- XTS 37 T-connector
- XTS 39 T-connector
- XTS 40 T-connector
- XTS 38 X-connector
- XTS 41 End cap

All connectors can be used as feeding parts, except XTS 21, XTS 23 and XTS 24.

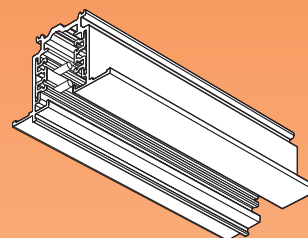
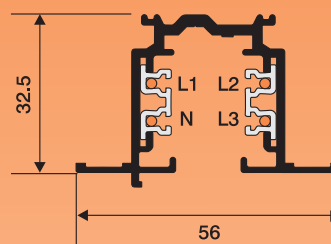
Available colours:

- 1 grey RAL 7040, plastic parts
natural anodised aluminium EN00, tracks
- 2 black, RAL 9005
- 3 white, RAL 9010

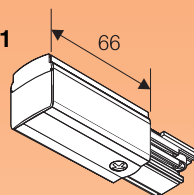
XTS



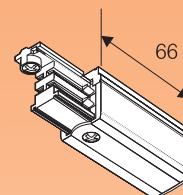
XTSF



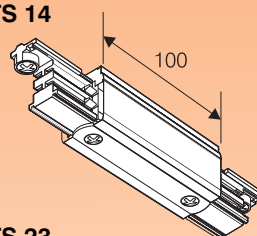
XTS 11



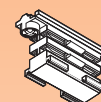
XTS 12



XTS 14

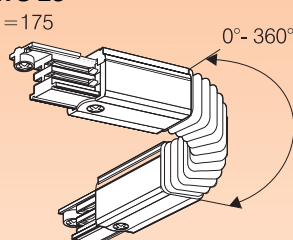


XTS 21



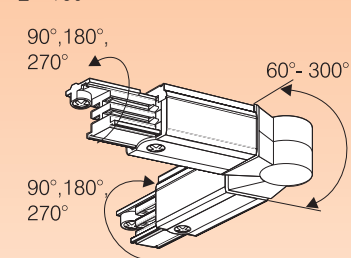
XTS 23

L = 175



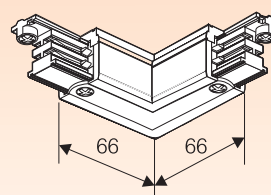
XTS 24

L = 160



XTS 34

XTS 35

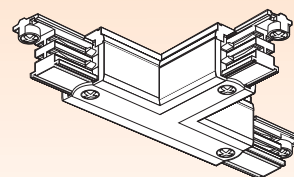


XTS 36

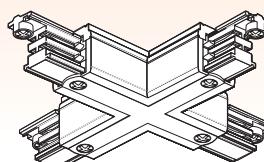
XTS 37

XTS 39

XTS 40



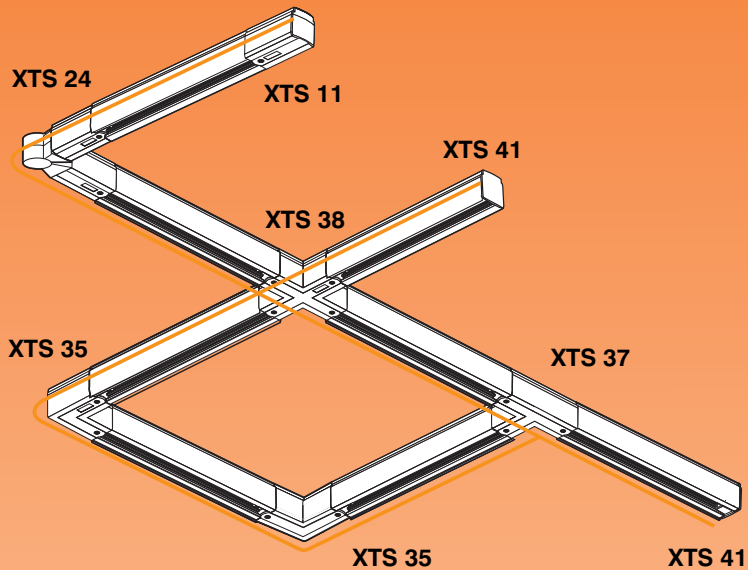
XTS 38



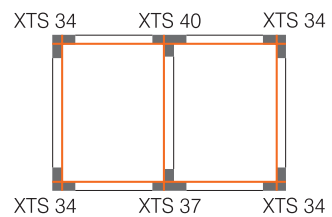
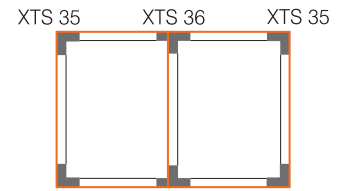
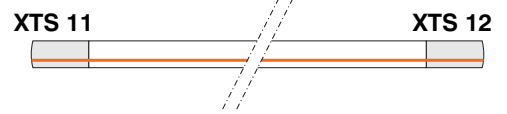
XTS 41



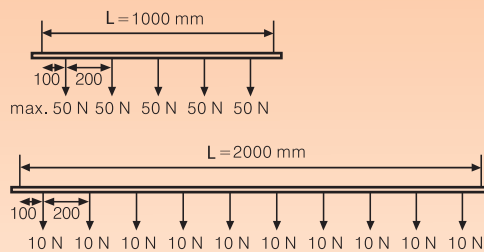
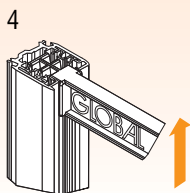
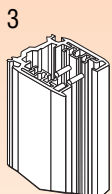
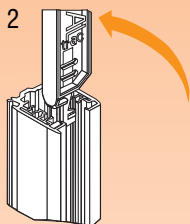
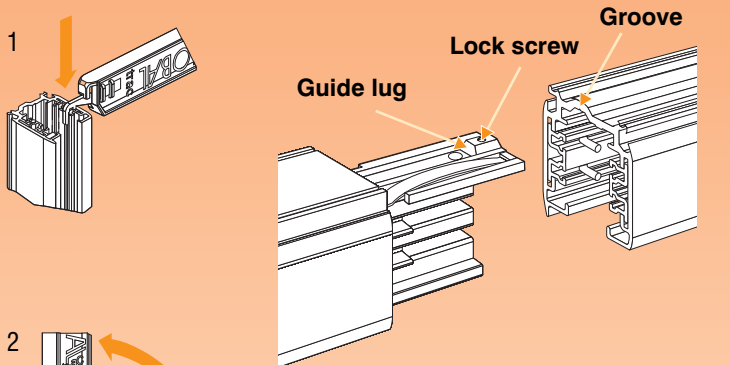
Example of accessory choice:
Red line indicates ridge of track



Use of L- and T-connectors

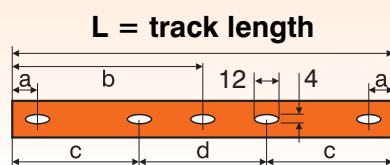


Floor view



Distances of the fastening holes

| L mm | a mm | b mm | c mm | d mm |
|---------|---------|---------|---------|---------|
| 1000 | 250 | 1000 | | |
| 2000 | 250 | | 1000 | 1000 |
| 3000 | 250 | | 1500 | 1000 |
| 4000 | 250 | | | |



Installation

Installation of the connector parts

When installing the connector parts to the **GLOBAL pro** track, it is necessary to ensure that the guide lug enters the groove in the base of the track. The fastening of the connectors to the track is secured by the lock screws.

How to cut the GLOBAL pro

GLOBAL pro lighting tracks are supplied in standard lengths. They are also easy to cut to the required length with a hacksaw or with a circular saw designed for aluminium cutting. After the **GLOBAL pro** track has been cut, the conductors have to be bent at an angle of 90 degrees. Use the bending tool XTSV 12 for bending. The conductors can be measured and finished with the plastic gauge at the other end of the tool. The bent conductors are at the right distance from the end of the track when the plastic gauge does not protrude but lies flush with the track end.

The fastening distance and the loading capacity

The tracks are supplied complete with punched fastening holes (see the table). The recommended fastening distance is

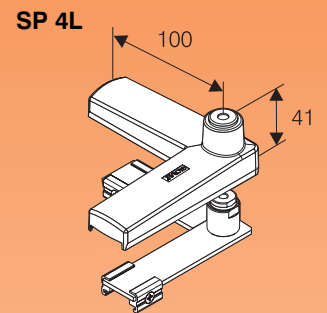
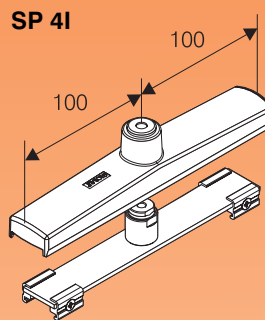
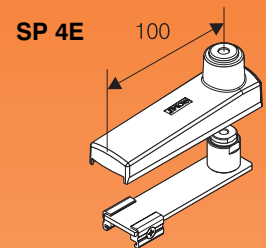
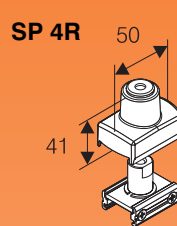
L = 1000 mm.

NOTE: A load not heavier than 10 kg may hang on a power takeoff adapter, the pull strength being 100 N (1 kp = 9.81 N) and the maximum torque 2.5Nm.

(XTSA 66 and GA69 5 kg / 50 N).

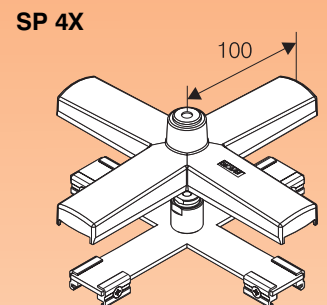
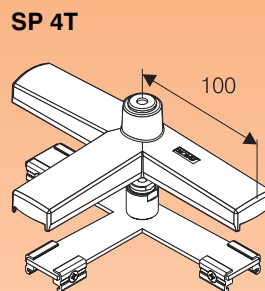
Suspension Parts

| | |
|-------|--|
| SP 4R | Point clamp suspension F _{max} 200 N |
| SP 4E | End feed suspension F _{max} 100 N |
| SP 4I | Middle feed suspension F _{max} 200 N |
| SP 4L | L-feed suspension F _{max} 100 N |
| SP 4T | T-feed suspension F _{max} 200 N |
| SP 4X | X-feed suspension F _{max} 200 N |



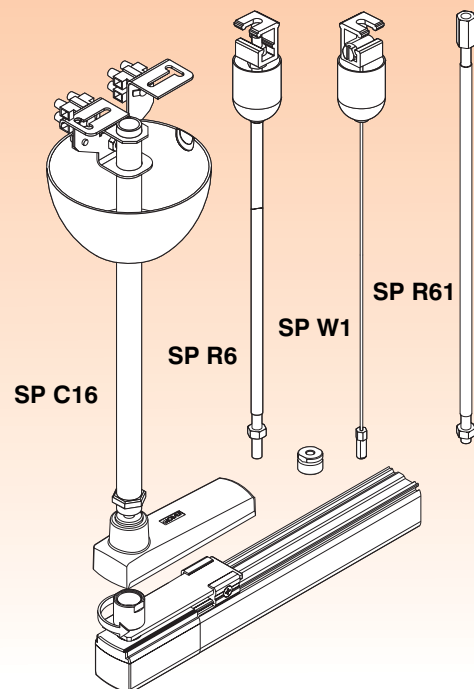
Suspension Devices

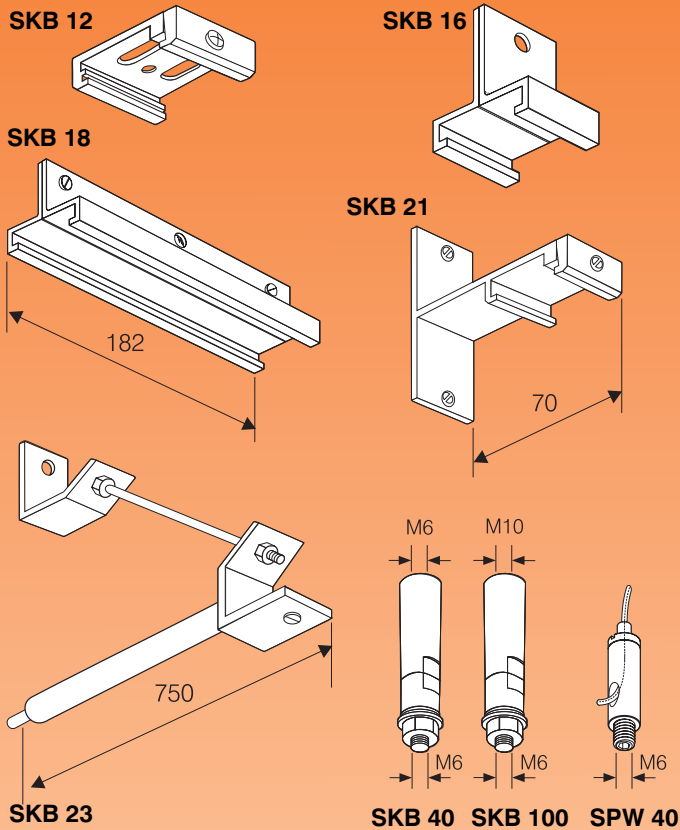
| | |
|--------|---|
| SP C16 | Conduit suspension set Ø 16 mm, length 1000 mm F _{max} 200 N |
| SP R6 | Rod suspension set M6, length 1000 mm F _{max} 200 N |
| SP W1 | Wire suspension set Terminal M6, length 1500 mm F _{max} 150 N |
| SP R61 | Rod extension set M6, length 1000 mm |



Available colours:

- 2 black, RAL 9005
- 3 white, RAL 9010





Mounting accessories

| | |
|--------|--|
| SKB 12 | Ceiling clamp (colours: 1, 2, 3) |
| SKB 16 | Suspension clamp (1, 3) |
| SKB 18 | Support (1, 3) |
| SKB 21 | Wall bracket (1) |
| SKB 23 | Wall bracket (1) |
| SKB 40 | Height adjusting sleeve M6 (1), adjustable to 20 mm |
| SPW 40 | Cable holder, adjustable M6, (1,5 mm) |
| SPW 50 | Suspension wire (1,5 mm) L=50 m (colour 1) |

Other components

| | |
|---------|----------------------------------|
| XTSV 12 | Bending tool |
| XTSP 11 | Cover strip, length 3 m (3) |
| XTAK 14 | Hook base (3) F_{max} 100 N |
| XTAK 11 | Hook (1) |
| XTSF 40 | Outlet cover plate (3) |

For recessed tracks

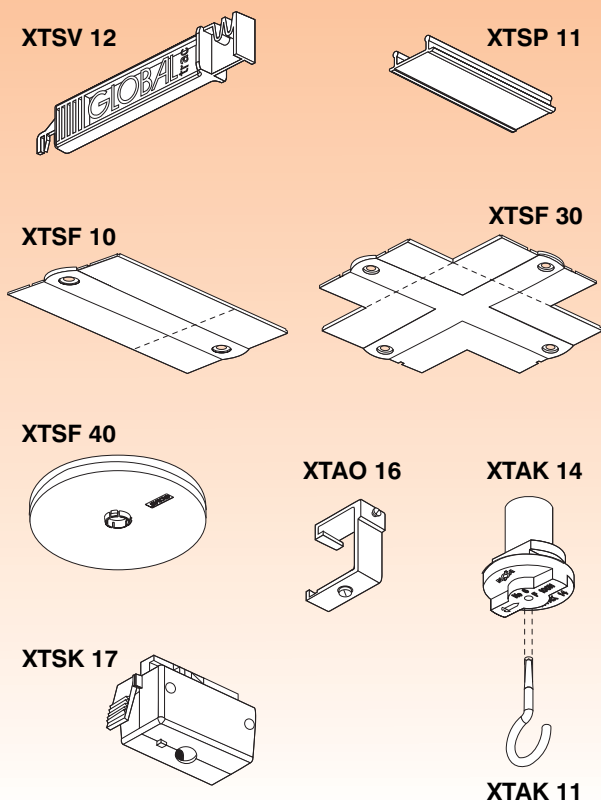
| | |
|---------|-----------------------------------|
| XTSF 10 | Cover plate for feeds (2, 3) |
| XTSF 30 | Cover plate for connectors (2, 3) |

Clamps for fluorescent fitting to track

| | |
|---------|--|
| XTAO 16 | Clamp (1) F_{max} 120 N |
| XTSK 17 | Clamp (3) pull strength 100N torque max 2,5 Nm |

Colour code:

- 1 natural anodised aluminium
- 2 black, RAL 9005
- 3 white, RAL 9010



Circuit-selector adapters

MULTI-adapter™ XTSA 68

Features of the adapter

Rated values 10 A, 250 V
 Protection class I
 Pull strength 100 N
 Torque max 2.5 Nm

Use: Intended for the connection of spotlights to the **GLOBAL pro** (former NOKIA XTS) 3-circuit tracks. The MULTI-adapter XTSA 68 suits almost every 3-circuit track on the market.

Instructions for use

- Push the MULTI-adapter into the track (A).
- Turn the mechanical fixing knob clockwise (B).
- Select the desired circuit with the circuit selector knob (C).
- To remove the MULTI-adapter from the track, turn the circuit selector to the OFF position, then turn the mechanical fixing knob counterclockwise.

MULTI-adapter™ GA 69

Features of the adapter

Rated values 6 A, 250 V
 Protection class I
 Pull strength 50 N
 Torque max 2.5 Nm
 Slot connection for stranded wire 0.5... 1 mm²

Use: Intended for the connection of spotlights to the **GLOBAL pro** (former NOKIA XTS) 3-circuit tracks. The MULTI-adapter™ GA 69 suits almost every 3-circuit track on the market.

Instructions for use

- Choose the phase (1, 2 or 3) before fastening into the track (A) or afterwards.
- Fastening of the adapter (B).
- Removing of the adapter (C).
- Separate cable grip CG 69 available.

XTSA 66

Features of the adapter

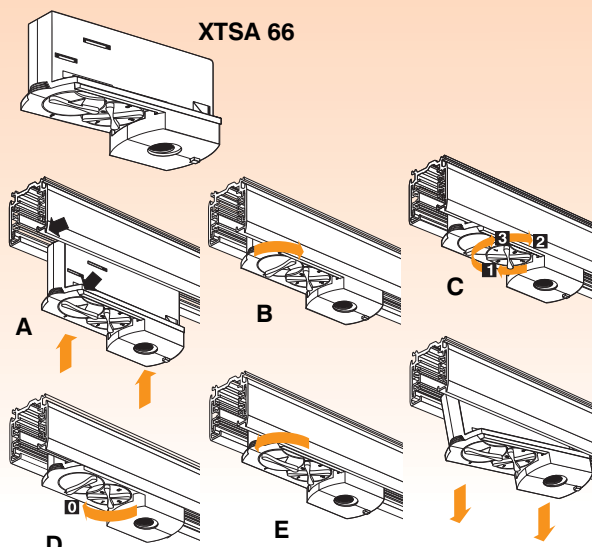
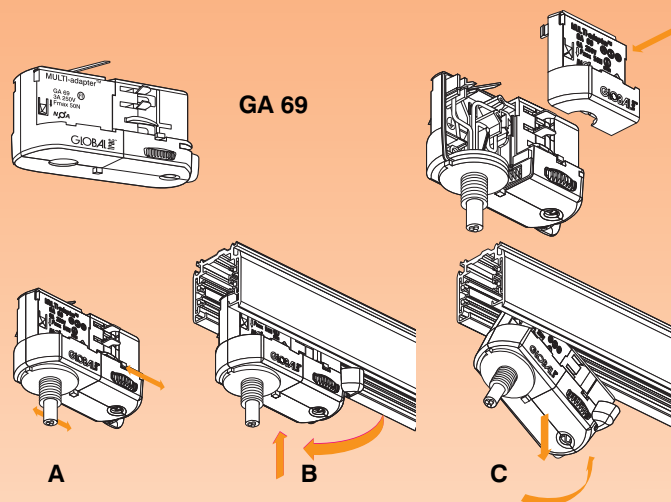
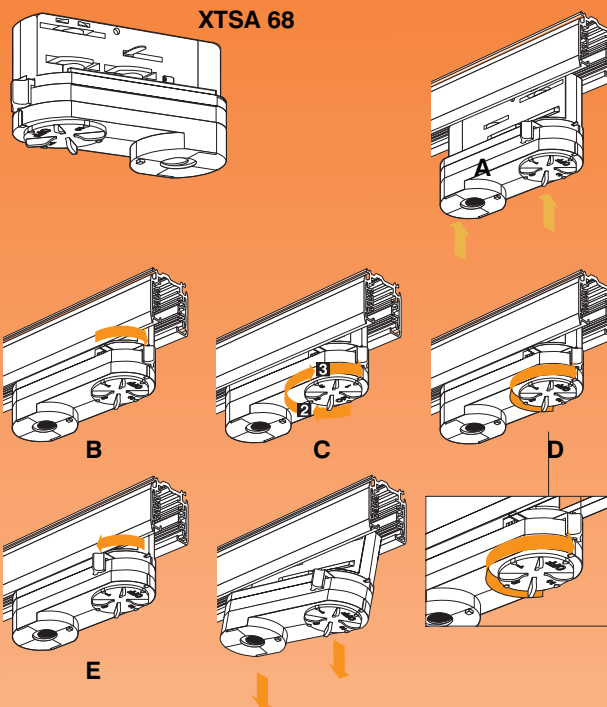
Rated values 10 A, 250 V
 Protection class I
 Pull strength 50 N
 Torque max 2.5 Nm

Use: Intended for the connection of spotlights to the **GLOBAL pro** (former NOKIA XTS) track.

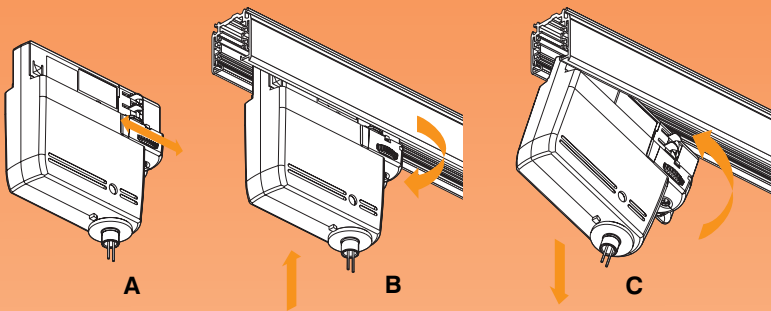
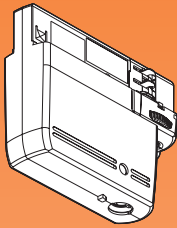
Instructions for use

- Push the adapter into the track till it snaps in (A).
- Turn the mechanical fixing knob clockwise (B).
- Select the desired circuit with the circuit selector knob (C).
- To remove the adapter from the track, proceed in reverse order, then pull the finger grip knob.

Removing of the adapters



GAT 69



GAT 69

Trafohousing-adapter
Max 6A, 250V

GAT 69T

Trafo-adapter
230V/12V, 20-60W, 5A

GAT 69BJB

Trafo-adapter, BJB coupling
230V/12V, 20-60W, 5A
Protection class II
Pull strength 50 N
Bending moment 2,5 Nm

Instructions for use

- Choose the phase (1, 2 or 3) before fastening into the track (A) or afterwards.
- Fastening of the adapter (B).
- Removing of the adapter (C).

Use: For connection of spotlights to the **GLOBAL pro** (former NOKIA XTS-track) 3-circuit tracks. The **MULTI-adapter™** GAT 69 suits almost every 3-circuit track on the market.

Power take-off adapters

XTSA 67

Features of the adapter
Rated values 16 A, 400 V
Protection class I
Pull strength 100 N
Torque max 2.5 Nm
Built-in cable grip

Use: Intended for the connection of both 1-phase and 3-phase devices and fluorescent fixtures to the **GLOBAL pro** (former NOKIA XTS) track.

Instructions for use

- Insert the adapter into the track so that the asymmetric flange of the track and the corresponding groove of the adapter fit together.
- Push the adapter to the track bottom (A) and at the same time turn it to the right (B) until the locking knob snaps in behind the asymmetric flange of the track.
- Release the adapter from the track by pushing the locking knob.

Available colours:

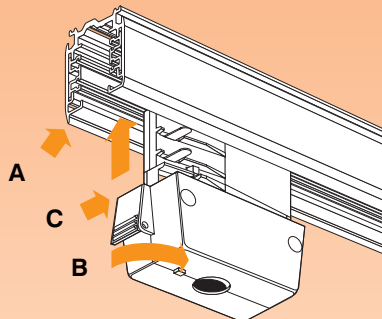
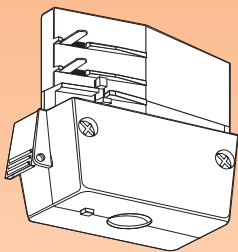
XTSA 68, GA 69, GAT 69

- 1 grey, RAL 9007
- 2 black, RAL 9005
- 3 white, RAL 9010

XTSA 66, XTSA 67

- 2 black, RAL 9005
- 3 white, RAL 9010

XTSA 67



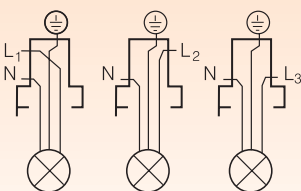
Connection

XTSA 66/XTSA 68

230 V, 10 A, 2,3 kW

GA69

230 V, 6 A

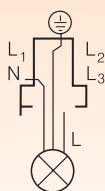


Only 1-circuit

XTSA 67

230 V, 16 A,

3,7 kW

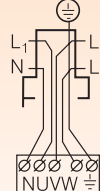


1-circuit

XTSA 67

400 V, 16 A,

11,1 kW

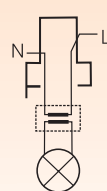


3-phase

GAT 69

230 V, 5 A,

20-60 W



Fix-point

Fix-point™ GA 70

Features of the FIX-point

- Rated values 10 A, 250 V
- Protection class I
- Pull strength 50 N
- Built-in cable grip
- Bending moment max 2.5 Nm

Use with GA 69, XTSA 68, XTSA 67, XTSA 66 or TEK 68 (2-circuit). Switch adapter to phase 1. Surface mounting on ceilings and walls.

Suitable for most of the 3-circuit multi-adapters on the market. The local installation requirements must be conformed with.

Available colours:

- 1 grey, RAL 9007
- 2 black, RAL 9005
- 3 white, RAL 9010

Recessed box XTSA 71 for FIX-point™ GA 70

Features of the XTSA 71

- Pull strength 50 N

Use: To be used with the GA 70. Adjustable to different ceiling thicknesses (max 30 mm). For fixing hole diametres of Ø 105-125 mm.

Available colours:

- 2 black, RAL 9005
- 3 white, RAL 9010

Fix-point™ is trade mark of Nordic Aluminium Plc.

Nipples

Nipples are used when lighting fittings or other appliances are also connected mechanically to the power takeoff adapter.

Available colours:

- 9 bright, mill finished
- 2 black, only in XTSA 57/12

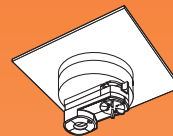
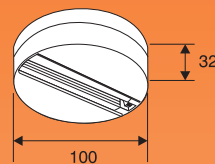
Strain relief/Nipple nut

- XTSA 510 M 10x1 inside thread, length 7,5 mm
- XTSA 513 M 13x1 inside thread, length 9,0 mm
- GA 510 (colours 2, 3)
- GAM 10 M10x1, (colour 9)
- GAM 13 M13x1, (colour 9)

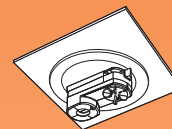
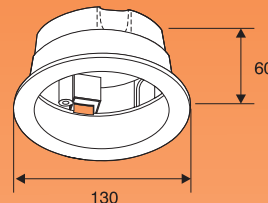
Colours:

- 1 grey RAL 7040, plastic parts
natural anodised aluminium EN00
- 2 black, RAL 9005
- 3 white, RAL 9010

XTSA 70



XTSA 71



XTSA 55/12

- aluminium
- rotating
- M 13x1
- thread lenght 12 mm



XTSA 57/12

- aluminium
- fixed
- M 13x1
- thread lenght 8 mm



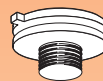
XTSA 57/8

- aluminium
- rotating
- M 10x1
- thread lenght 8 mm



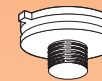
XTS 56/8

- aluminium
- fixed
- M 13x1
- thread lenght 8 mm



XTS 58/8

- aluminium
- fixed
- M 10x1
- thread lenght 8 mm



XTSA 513

- M 10x1
- thread lenght 7,5 mm



XTSA 510

- M 13x1
- thread lenght 9 mm

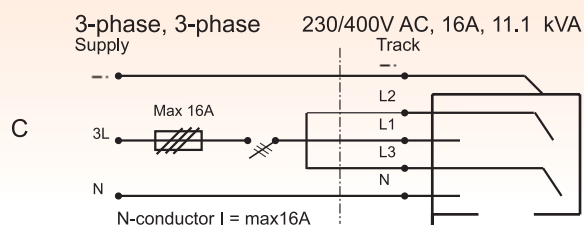
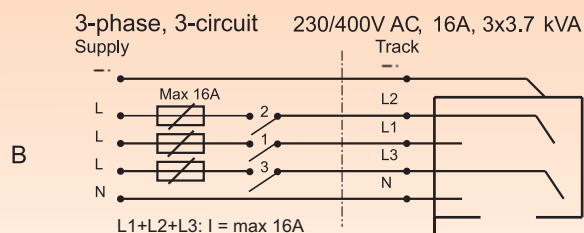
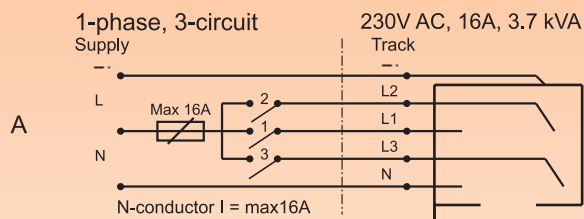
GA 510



GAM 10



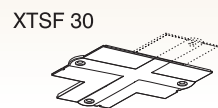
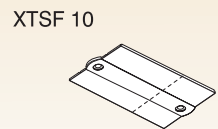
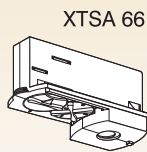
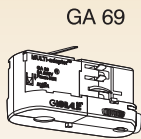
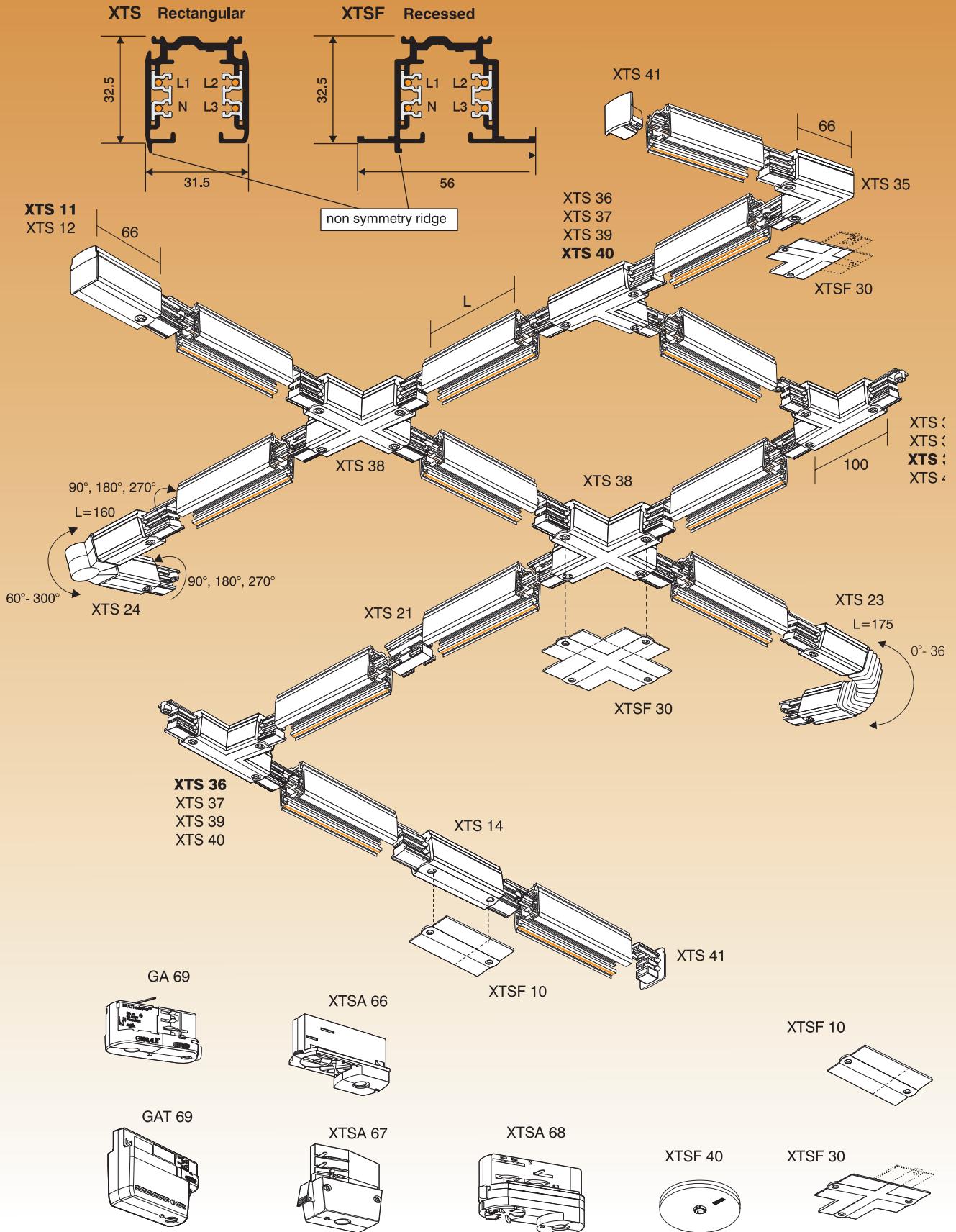
GAM 13

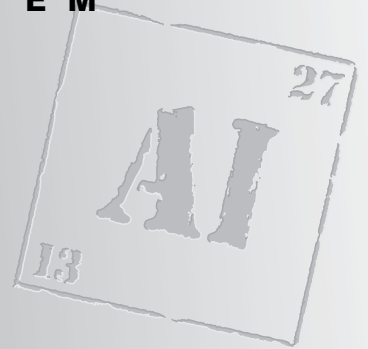


GLOBAL ^{track} *pro* LIGHTING TRACK SYSTEM

XTS 4100 (L=1000)
 XTS 4200 (L=2000)
 XTS 4300 (L=3000)
 XTS 4400 (L=4000)

XTSF 4100 (L=1000)
 XTSF 4200 (L=2000)
 XTSF 4300 (L=3000)
 XTSF 4400 (L=4000)





NORDIC ALUMINIUM



NORDIC ALUMINIUM PLC

P.O.BOX 117, FI-02401 Kirkkonummi, FINLAND

Tel. +358 9 68 251, fax. +358 9 298 2154

E-mail: globalinfo@nordicaluminium.fi

www.nordicaluminium.fi

