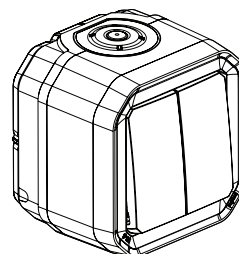
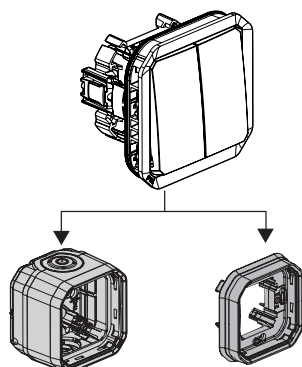


# Plexo™ Reversible Transformeur

Cat. No(s): **0 695 06L**  
**0 696 18L**  
**0 697 19L/89L**  
**0 698 00L/09L**



## 1. USE

Waterproof equipment system intended for residential and professional technical locations (garages, cellars, car parks, workshops and industrial kitchens, etc.) as well as outdoor environments (terraces, gardens, campsites, etc.).

Lighting control mechanisms with 5 possible functions:

- \_ Simple two-way or simple push button.
- \_ Double two-way or double push button.
- \_ One two-way or one push button in right or left position.

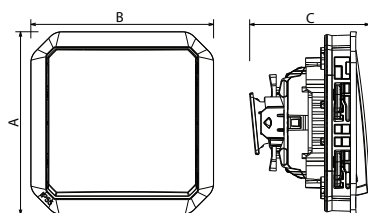
Supplied in double change-over push-button mode with 2 mounted half-fingers and 1 single finger.

## 2. RANGE

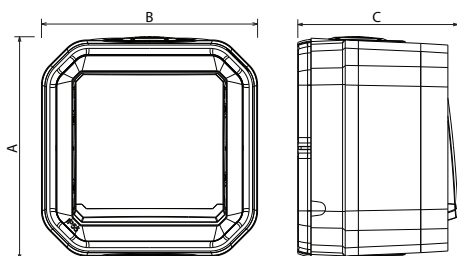
		References
Configurable		0 695 06L
		0 696 18L
		0698 00L/09L
Surface-mounting complete		0 697 19L/89L

## 3. OVERALL DIMENSIONS (mm)

### ■ Configurable



### ■ Surface-mounting



## 3. OVERALL DIMENSIONS (mm) (continued)

	A	B	C
<b>Configurable</b>	70.5	70.5	46.3
<b>Surface-mounting</b>	84.5	82	61

## 4. CONNECTION

Type of terminals: automatic  
Terminal capacity: 1.5 mm<sup>2</sup> - 2.5 mm<sup>2</sup> (1 or 2 conductors)  
Stripping length: 12 mm

## 5. TECHNICAL CHARACTERISTICS

### ■ 5.1 Protection index

Protection against solid bodies and liquids: IP 55  
Protection against impact: IK 08

### ■ 5.2 Material characteristics

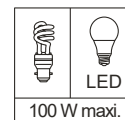
Box, support: PP reinforced  
Front plate, rocker: ABS  
Entry gland, cover plate: PP + SEBS  
Mechanism: PC

UV-resistant  
Halogen-free  
Resistance to salt spray: 7 days (168 h)

Self-extinguishing:  
850°C/30 s for insulating components holding live parts in place.  
650°C/30 s for other insulating components.

### ■ 5.3 Electrical characteristics

Voltage: 250 V~  
Frequency: 50 Hz  
Current: Push button version 10 A  
Two-way version va-et-vient 10 AX  
Maximum power on lamps with integrated ballast  
(LED lamps and compact fluorescent): 100 W



### ■ 5.4 Caractéristiques climatiques

Température d'utilisation : - 10° à + 40° C  
Température de stockage : - 25° C à + 60° C

## 6. CLEANING

Surface cleaning with a cloth.

Do not use: acetone, tar remover, trichloroethylene.

Maintenance with the following products: Hexane (EN 60669-1), Methylated spirit, Soapy water, Diluted ammonia, Bleach diluted to 10%, Window-cleaning products, Pre-saturated wipes.

**Caution:** A preliminary test should be carried out if other specific cleaning products are to be used.

## 7. NORMES ET AGRÉMENTS

Compliance with standards of installation and manufacturing.

Refer to e. catalogue.