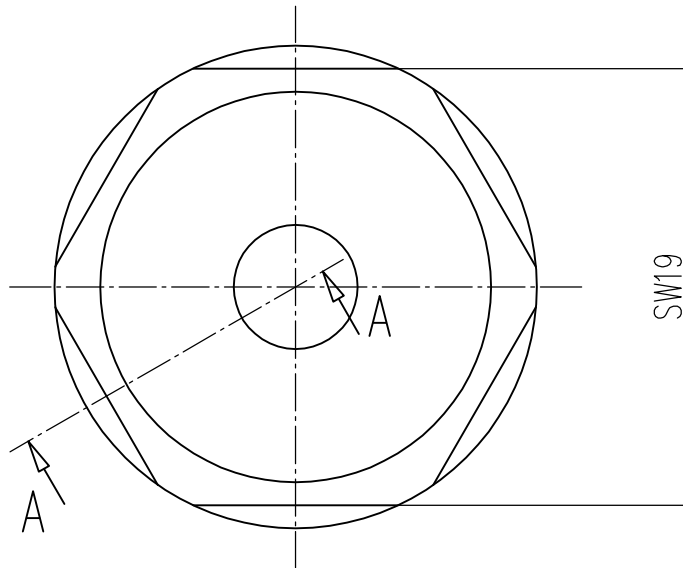
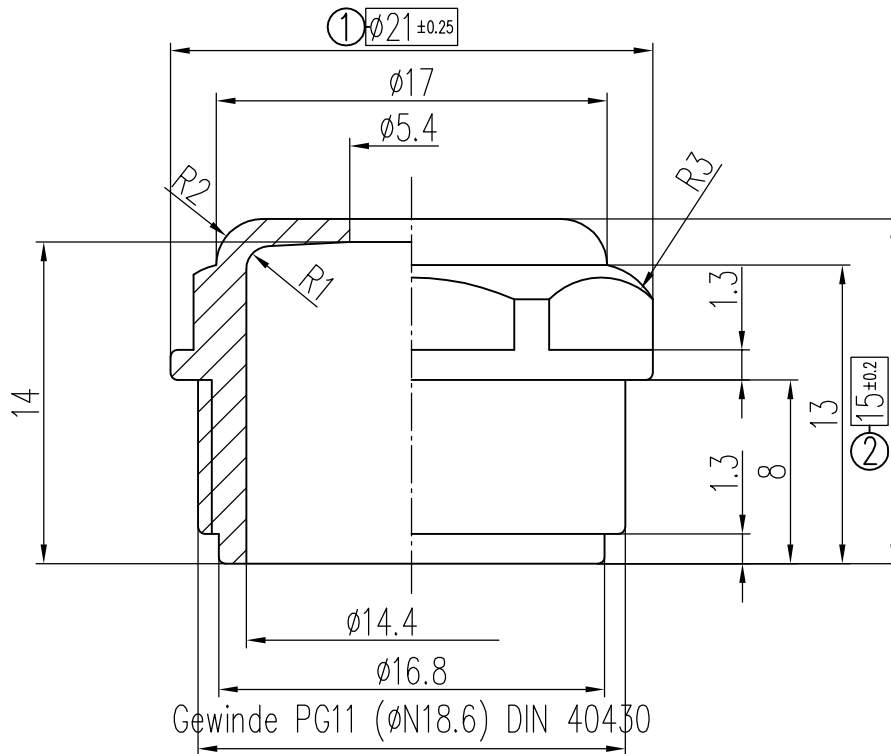


Schnitt A-A



...Prüfmaße

04	30.08.2016	Simic		Schriftkopf ET
Issue no.	Issue date	Issue by	Issue chkd. by	Issue text
Gen. tolerance: EN 22768 mK		Sheetm. part tol.: DIN 6930-2 f		Plastic part tol.: DIN 16742-TG5
Surface treatment/aftertreatment:				Info.:
Project:				Scale: 3:1
Name: Kreuzbichler		Basic material:		Projection
Date: 24.05.1993		Description		Size: A4h
Chkd. by:		PG 11 WUERGENIPPEL GRAU		Document
Chkd. date:				88230401
Chkd. date:		Copyright according to ISO 16016	www.electroterminal.com	ELECTRO- TERMINAL