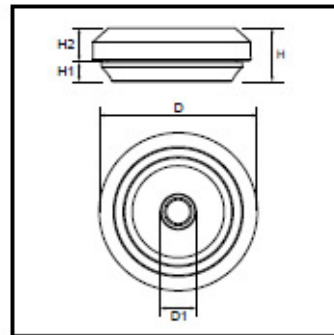
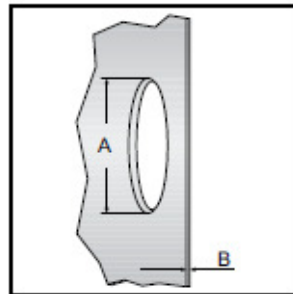
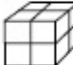


Material TPE - Thermoplastic Elastomer
 Halogen Free
 UL listed material
Mode of protection IP67
Temperature range -50°C...+125°C ⁽¹⁾
Test standard EN 60670-1:2005+A1:2013
Semko report 1612393

- Quick and simple assembly without the use of tools
- Handles exceptionally large cable span
- An end-plug for all applications



Product number	Size	For cable/ pipe Ø mm	A mm	B mm	D* mm	D1 mm	H mm	H1 mm	H2* mm	Pcs pack	
RAL 7035											
T_14 757 11	M16	5 - 10	16,5	0,5 - 3	23,5	4	11	4	6,75	50	4000
T_14 757 12	M20	6 - 13	20,5	0,5 - 3	27,5	5	11	4	6,75	50	3500
T_14 757 13	M25	8 - 17	25,5	0,5 - 3,5	32,5	7	11	4	6,75	50	2500
T_14 757 14	M32	12 - 24	32,5	0,5 - 4,5	39,5	11	11	4	6,75	25	1500
T_14 757 15	M40	19 - 31	40,5	1,5 - 4,5	47,5	18	13,5	4,84	7,41	25	1000